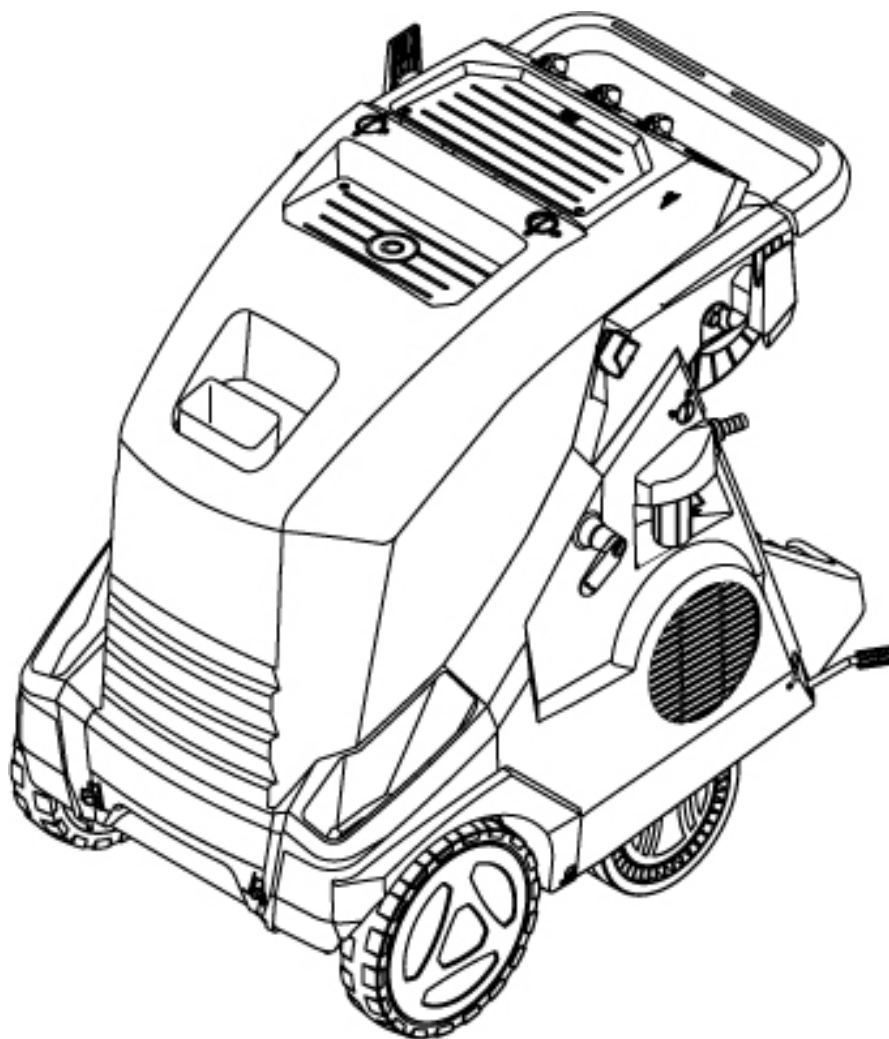


# PARTS LIST



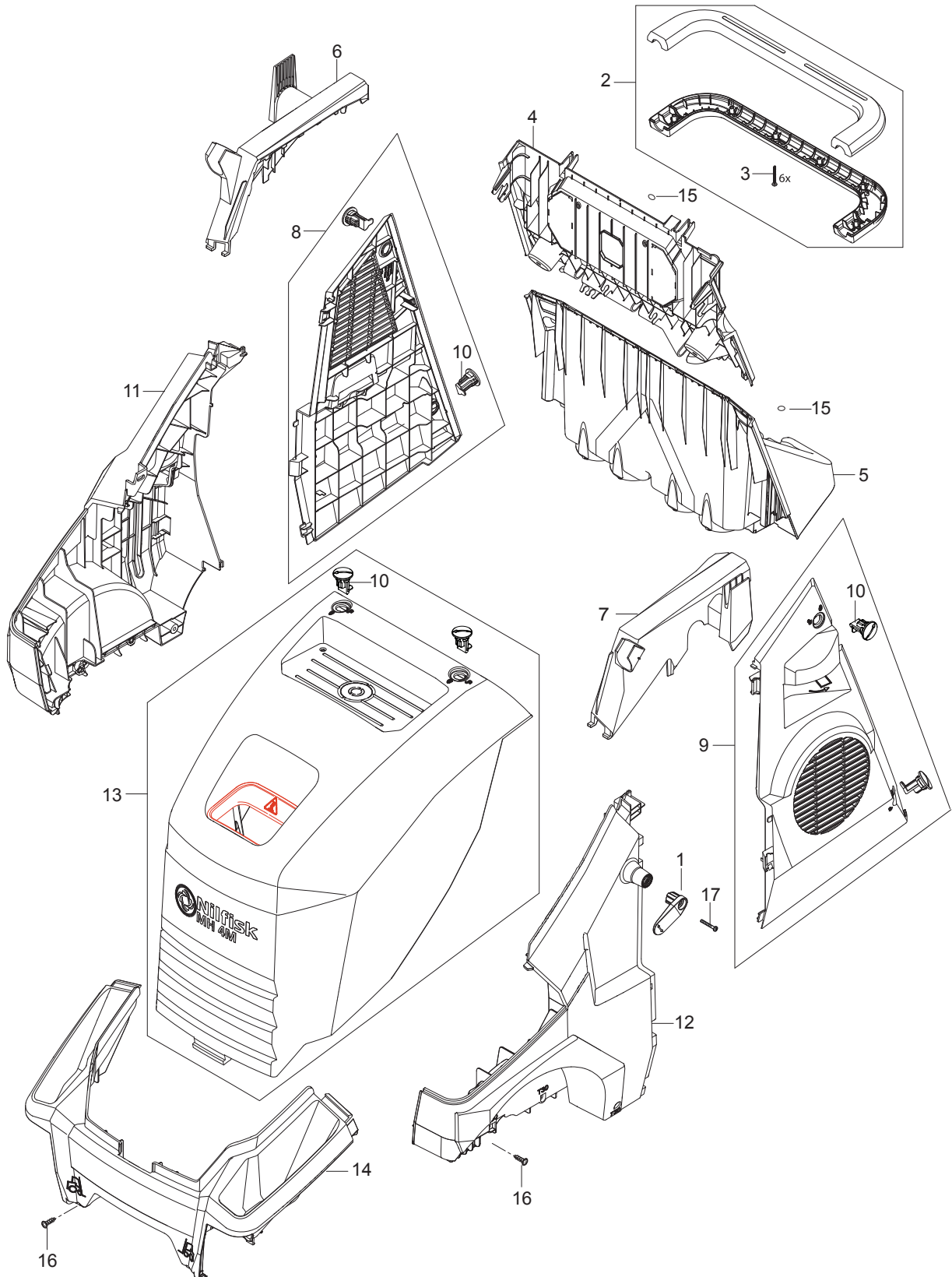
2023.06.08

# NILFISK

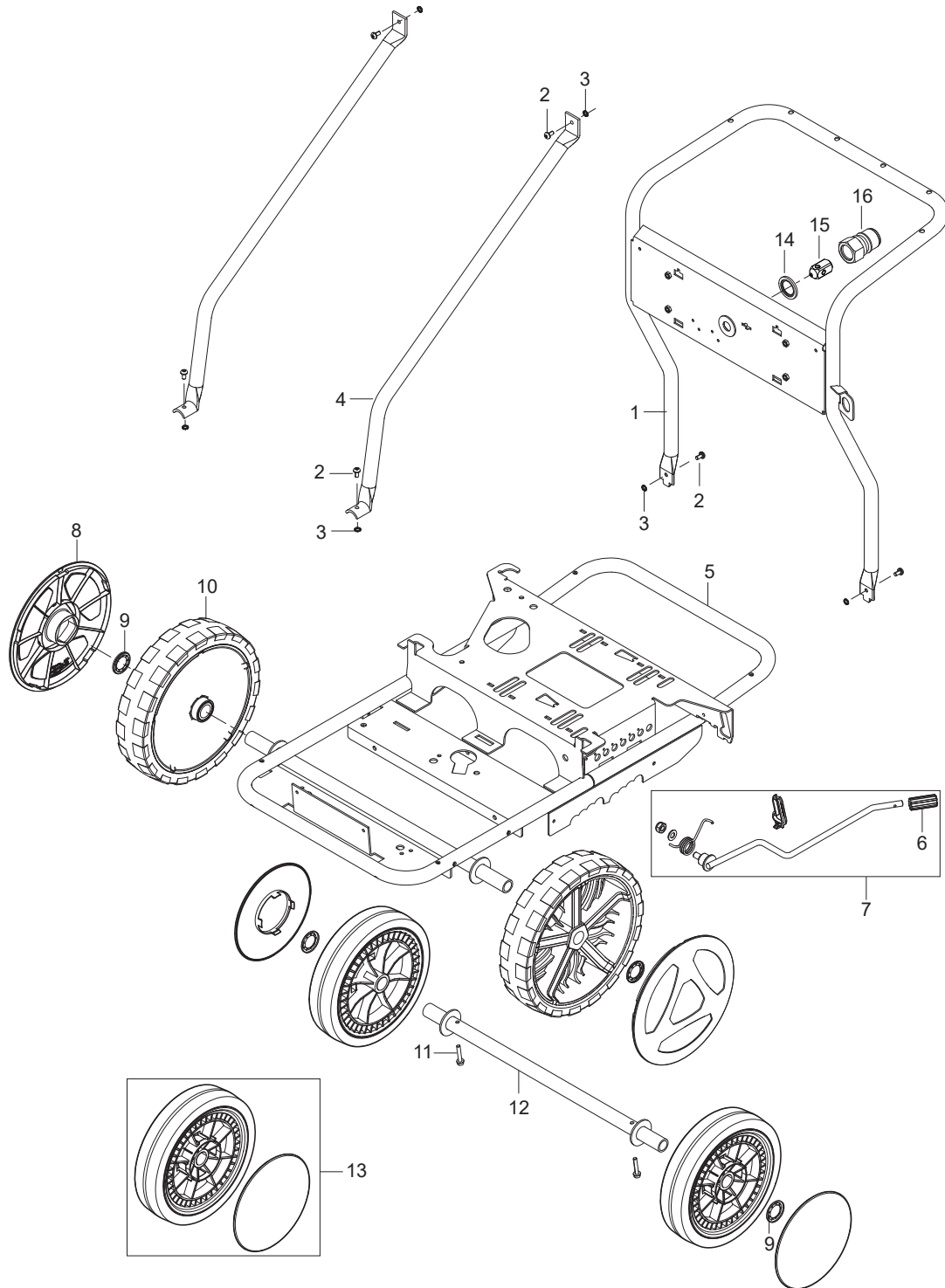
# TABLE OF CONTENTS

---

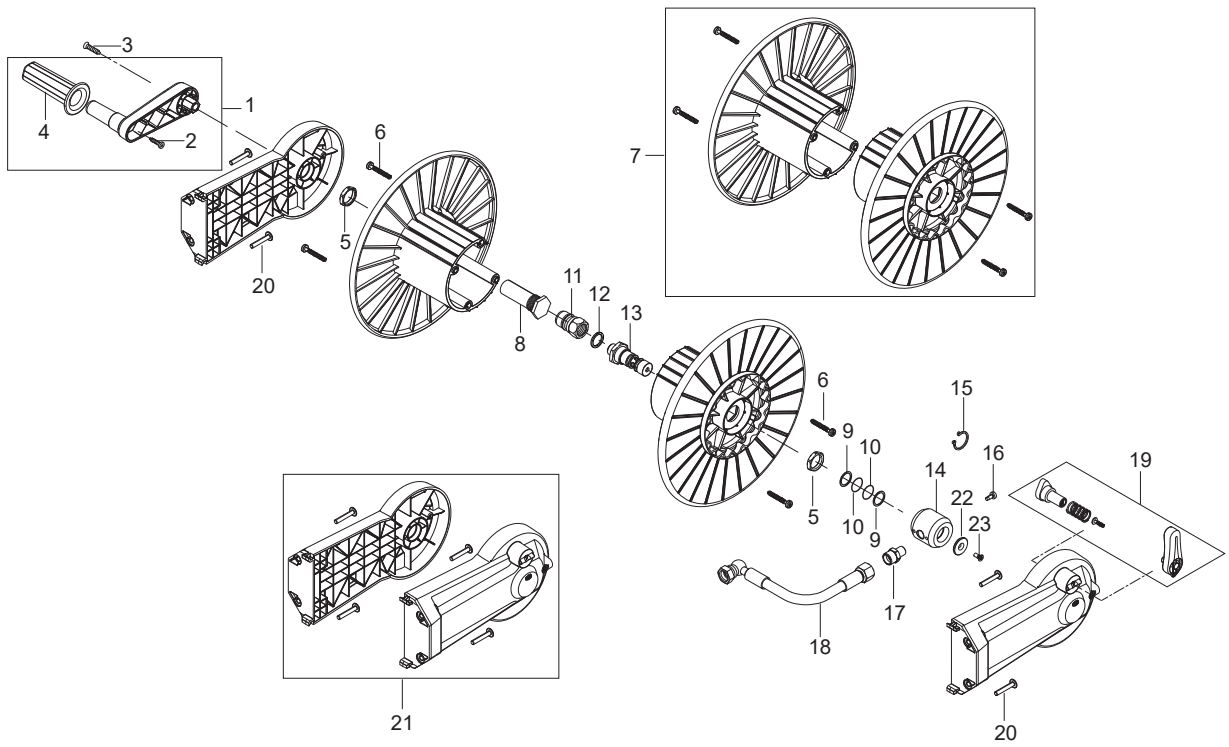
|   |    |
|---|----|
| Cabinet.....  | 1  |
| Chassis.....  | 3  |
| Hose reel.....                                      | 5  |
| 1x detergent.....                                   | 7  |
| Anti-scale.....                                     | 9  |
| Water inlet_PA.....                                 | 11 |
| Boiler b2.5.....                                    | 13 |
| Cables and wires.....                               | 15 |
| Cylinder block.....                                 | 17 |
| Electric box.....                                   | 20 |
| Electric box for motor 1~,3~ STAR and 3~ DELTA..... | 23 |
| Fan.....  | 25 |
| Flow control PA_ w manometer.....                   | 27 |
| Fuel tank.....                                      | 29 |
| Unloader_PA.....                                    | 31 |
| Motor pump.....                                     | 33 |
| Water break tank.....                               | 36 |
| Burner unit.....                                    | 38 |
| Recommended spare parts.....                        | 40 |



| Pos. | Artikel-Nr. | Menge | Variante                               | Notes |
|------|-------------|-------|--|-------|
| 1    | 107143025   | 1     | CABLE HOOK CLAMP BLUE                  |       |
| 2    | 101118192   | 1     | HANDLE KIT                             |       |
| 3    | 909100148   | 6     | Ejotschraube K40x30 WN 14              |       |
| 4    | 107143013   | 1     | REAR END TOP                           |       |
| 5    | 107143014   | 1     | REAR END BOTTOM                        |       |
| 6    | 107143021   | 1     | COVERING FOR HANDLE RIGHT              |       |
| 7    | 107143022   | 1     | COVERING FOR HANDLE LEFT               |       |
| 8    | 107143023   | 1     | DOOR W/LOCKS MPU NA5-NA6 RIGHT         |       |
| 9    | 107143019   | 1     | DOOR LEFT W/LOCKS                      |       |
| 10   | 301001261   | 6     | Verriegelung                           |       |
| 11   | 107143012   | 1     | SIDE BUMPER SMALL RIGHT                |       |
| 12   | 107143011   | 1     | SIDE BUMPER SMALL LEFT                 |       |
| 13   | 101118194   | 1     | CABINET MH 4M NILFISK KIT              |       |
| 14   | 107143015   | 1     | FRONT BUMPER                           |       |
| 15   | 107143009   | 6     | BLIND PLUG D16.5 FOR T30 BLACK PE      |       |
| 16   | 107143018   | 12    | SCREW M6X16                            |       |
| 17   | 107141838   | 7     | SCHRAUBE K50X18 WN1451 SCHWARZ TORX 20 |       |



| Pos. | Artikel-Nr. | Menge | Variante                      | Notes |
|------|-------------|-------|-------------------------------|-------|
| 1    | 31001031    | 1     | FRAME HANDLE                  |       |
| 2    | 107143018   | 6     | SCREW M6X16                   |       |
| 3    | 107143146   | 6     | WASHER SERRATED M6            |       |
| 4    | 31001032    | 2     | HANDLE STIFFENER SHORT        |       |
| 5    | 31001033    | 1     | FRAME SHORT                   |       |
| 6    | 107143028   | 1     | BRAKE KNOB                    |       |
| 7    | 101118180   | 1     | BRAKE ARM SHORT KIT           |       |
| 8    | 107145780   | 2     | RADKAPPE FUER RAD Ø300X65     |       |
| 9    | 46363       | 4     | Klemmscheibe                  |       |
| 10   | 107145637   | 2     | RAD D300X65 (STARCO)          |       |
| 11   | 107143027   | 2     | SCREW M6X35 SW10 DIN7500D FZB |       |
| 12   | 31001034    | 1     | WHEEL AXLE REAR               |       |
| 13   | 107143304   | 2     | Rad D250 mit Abdeckung        |       |
| 14   | 1801075     | 1     | Dichtring                     |       |
| 15   | 107143066   | 1     | PISTON                        |       |
| 16   | 1600493     | 1     | Anschlussstück                |       |

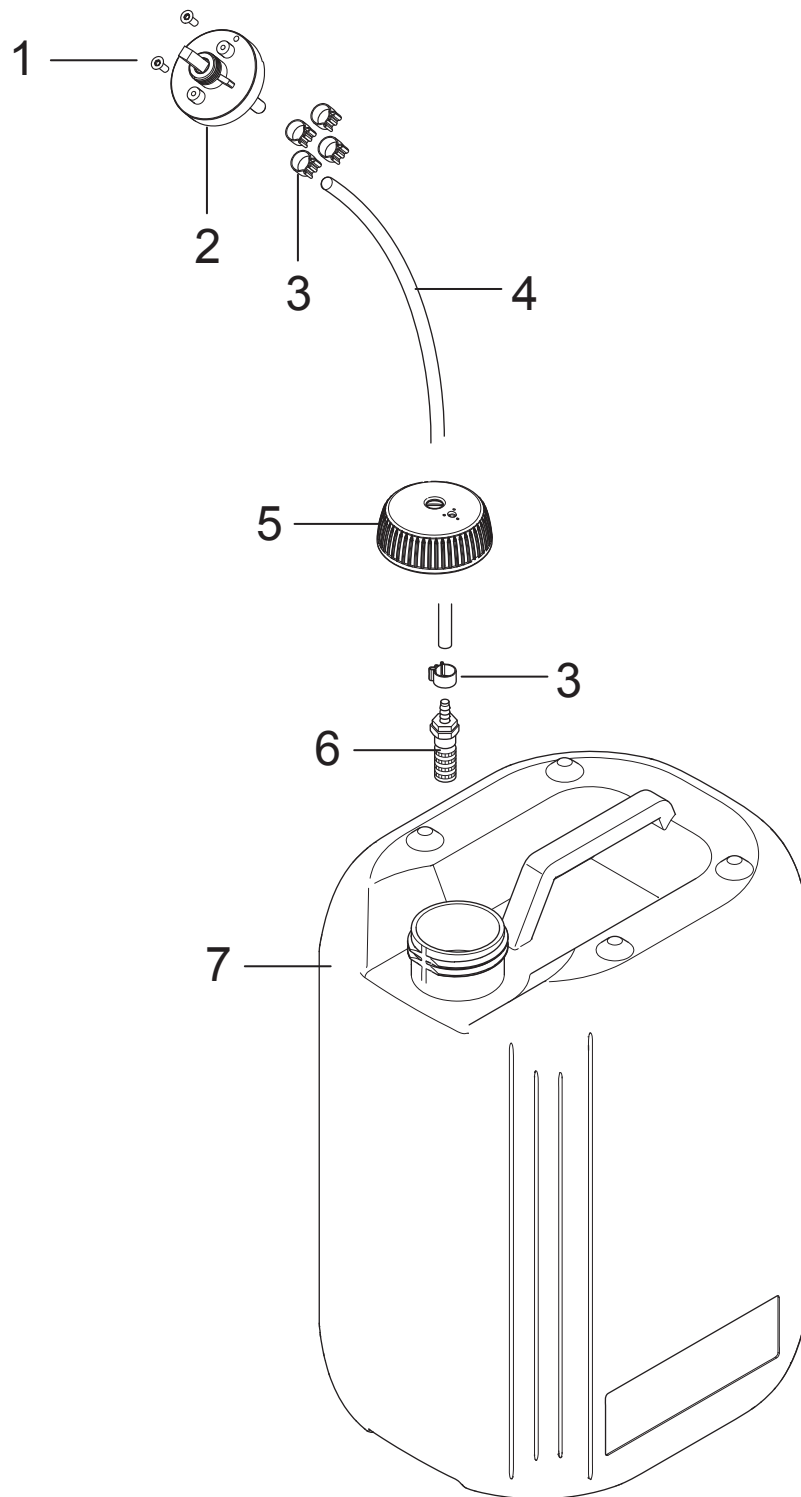


| Pos. | Artikel-Nr. | Menge | Variante                               | Notes |
|------|-------------|-------|--|-------|
| 0    | 106403184   | 1     | Schlauchtrommel CAP 20M DN8            |       |
| 1    | 101118215   | 1     | HANDLE FOR HOSE REEL NILFISK           |       |
| 2    | 107141838   | 2     | SCHRAUBE K50X18 WN1451 SCHWARZ TORX 20 |       |
| 3    | 107141673   | 1     | Schraube M6x45                         |       |
| 4    | 107143007   | 1     | ROTATING HANDLE FOR HOSE REEL NILFISK  |       |
| 5    | 62696       | 2     | Sechskantmutter M24x1,5x               |       |
| 6    | 909100153   | 4     | Schraube 6x40                          |       |
| 7    | 101118209   | 1     | HOSE REEL SIDE KIT                     |       |
| 8    | 107141675   | 1     | Achse                                  |       |
| 9    | 107143017   | 2     | BACK-UP RING                           |       |
| 10   | 19620       | 2     | O-Ring 15,54x2,62                      |       |
| 11   | 1600493     | 1     | Anschlussstück                         |       |
| 12   | 1801075     | 1     | Dichtring                              |       |
| 13   | 107143123   | 1     | SWIVEL FOR HOSE REEL                   |       |
| 14   | 101118317   | 1     | BEARING BUSH KIT                       | [1]   |
| 15   | 1802057     | 1     | Seegerring U 20 x1,2                   | [2]   |
| 16   | 107141690   | 1     | Linsenschraube DIN7985-M5x12-8.8       |       |
| 17   | 54590       | 2     | Anschlussstück                         |       |
| 18   | 107143114   | 1     | CONNECTION HOSE DN8 FOR HOSE REEL      |       |
| 19   | 101118212   | 1     | 020KE HANDLE FOR HOSE REEL NILFISK KIT |       |
| 20   | 107143010   | 4     | SCREW M6X35                            |       |
| 21   | 101118208   | 1     | HOSE REEL ADAPTOR KIT                  |       |
| 22   | 107143125   | 1     | WASHER 25 FOR COUNTERSUNK M5           | [3]   |
| 23   | 107143124   | 1     | COUNTERSUNK M5X12 ISO 14581            | [3]   |
|      |             | 1     | Mounting instr. for Hose Reel Nilfisk  | [4]   |

Part Notes:

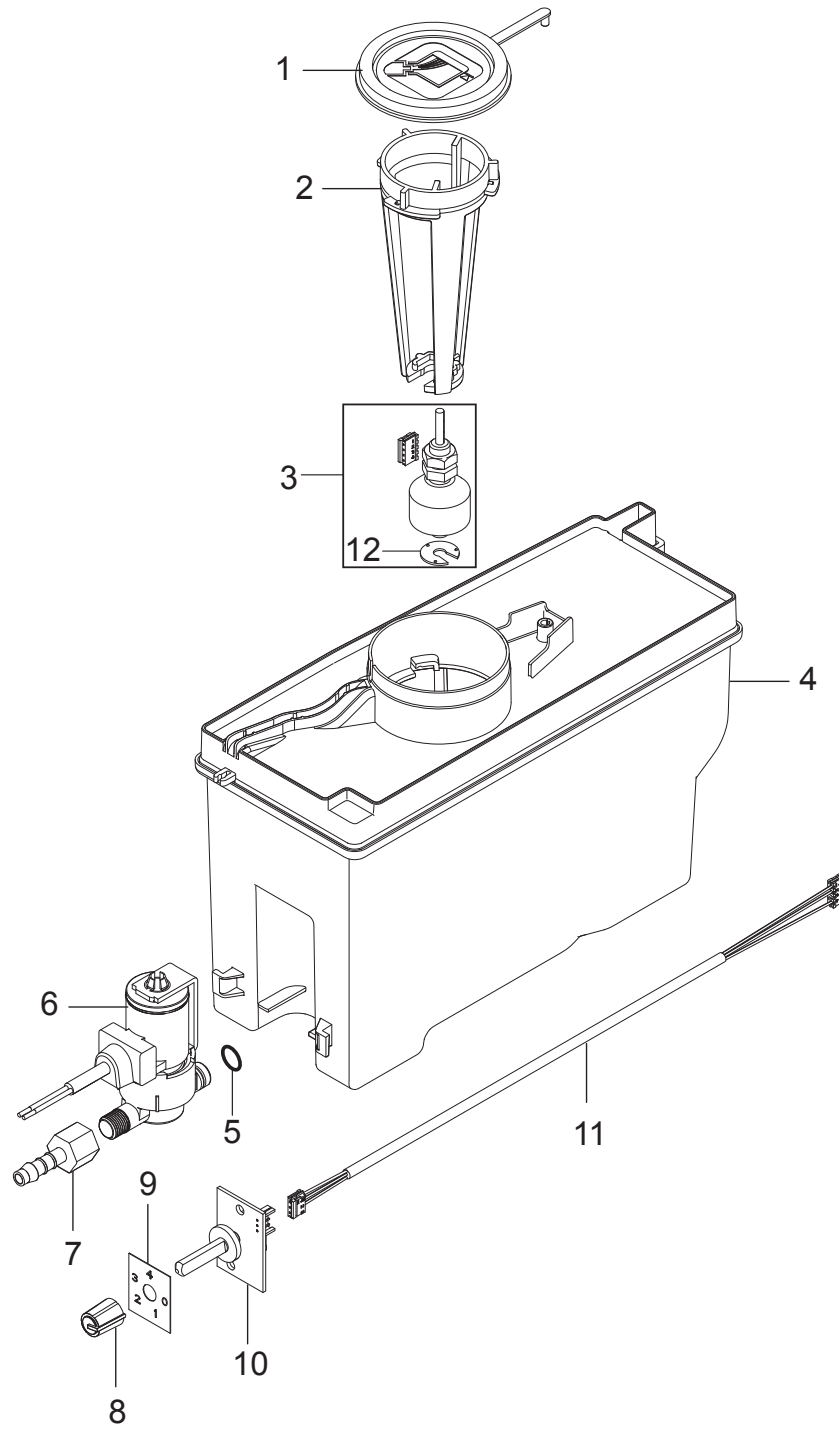
- [1] - TSB-PPW-2019-005 MH Hose Reel Screw 107143124 can break  
DE TSB-PPW-2019-005 MH Schlauchtrommel Schraube 107143124 kann brechen  
TSB-PPW-2019-005 vis cassée à l'enrouleur des MH
- [2] - Up to 07.2016
- [3] - TSB-PPW-2016-018 MH 4M Hose Reel Circlip
- [4] - Mounting instructions MH Nilfisk hose reel





---

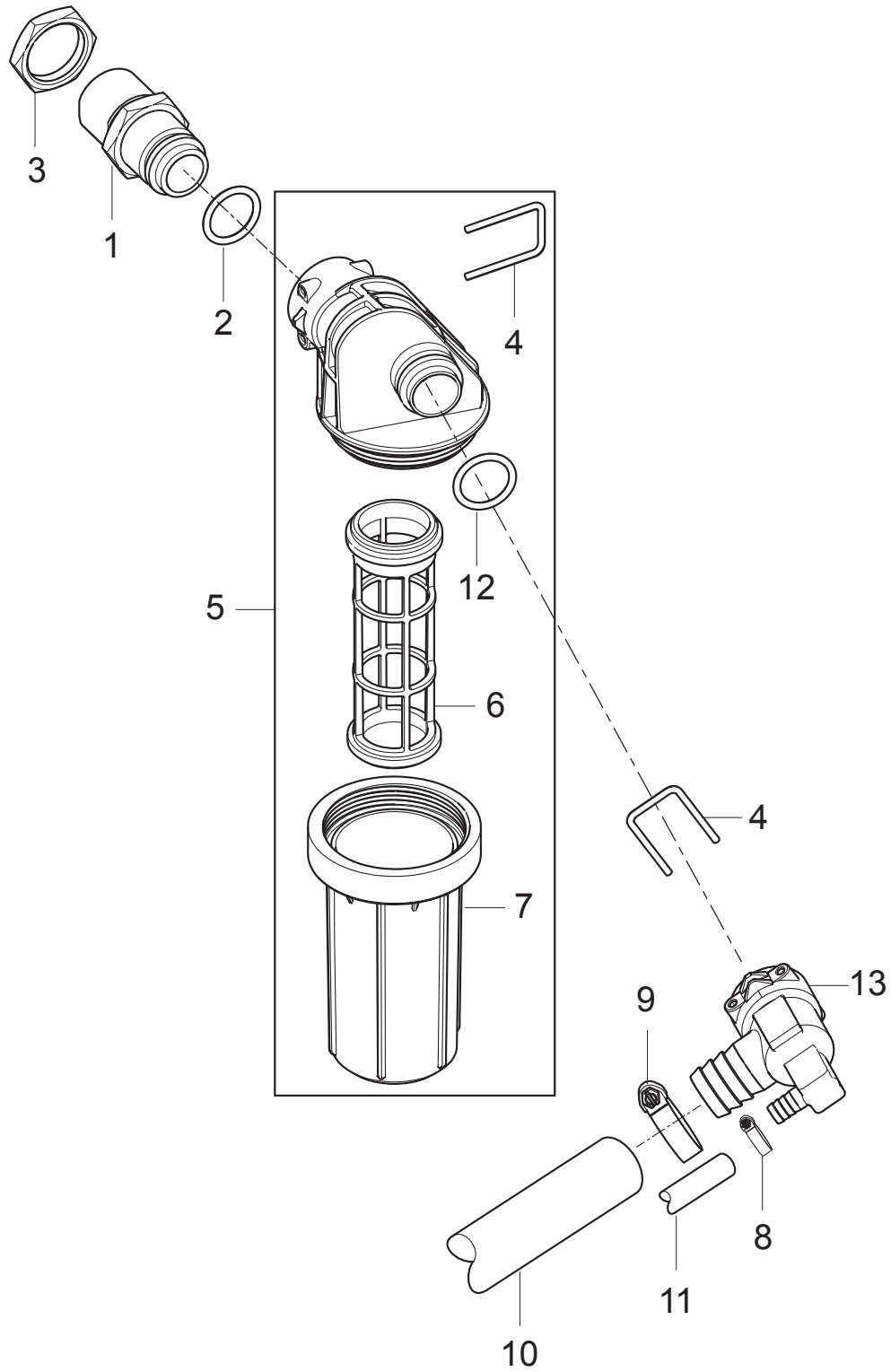
| Pos. | Artikel-Nr. | Menge | Variante                            | Notes |
|------|-------------|-------|-------------------------------------|-------|
| 1    | 1814730     | 2     | Schraube 3,5x10                     |       |
| 2    | 301001000   | 1     | Ventil                              |       |
| 3    | 301001133   | 8     | Schlauchklemme 10/7                 |       |
| 4    | 106408243   | 1     | HOSE 1/4INCH TRANSPARENT - 5 METERS |       |
| 5    | 107141664   | 2     | Deckel                              |       |
| 6    | 107145440   | 2     | Sieb Ventil Komplettsset            |       |
| 7    | 80518       | 1     | Behälter                            |       |



| Pos. | Artikel-Nr. | Menge | Variante                          | Notes |
|------|-------------|-------|-----------------------------------|-------|
| 1    | 45646       | 1     | Deckel                            |       |
| 2    | 107143040   | 1     | LEVELSENSOR BRACKET FOR ANTISCALE |       |
| 3    | 101118214   | 1     | FLOAT SWITCH KIT                  |       |
| 4    | 107143041   | 1     | ANTISCALE TANK CPL.               |       |
| 5    | 31001036    | 1     | O-RING 6X2 NBR 70SH               |       |
| 6    | 107143037   | 1     | DOSING VALVE RPE 24VAC            |       |
| 7    | 107143036   | 1     | HOSE FITTING D6X1/8 PA            |       |
| 8    | 107318222   | 1     | PUSH-ON KNOB 11MM/6MMD/WH         |       |
| 9    | 107143042   | 1     | LABEL FOR ANTISCALE               |       |
| 10   | 101117780   | 1     | PCB FOR POTENTIONMETER            |       |
| 11   | 107143038   | 1     | CABLE FOR ADJUSTMENT ANTI SCALE   |       |
| 12   | 107142593   | 1     | HOLDING WASHER PE                 | [1]   |

Part Notes:

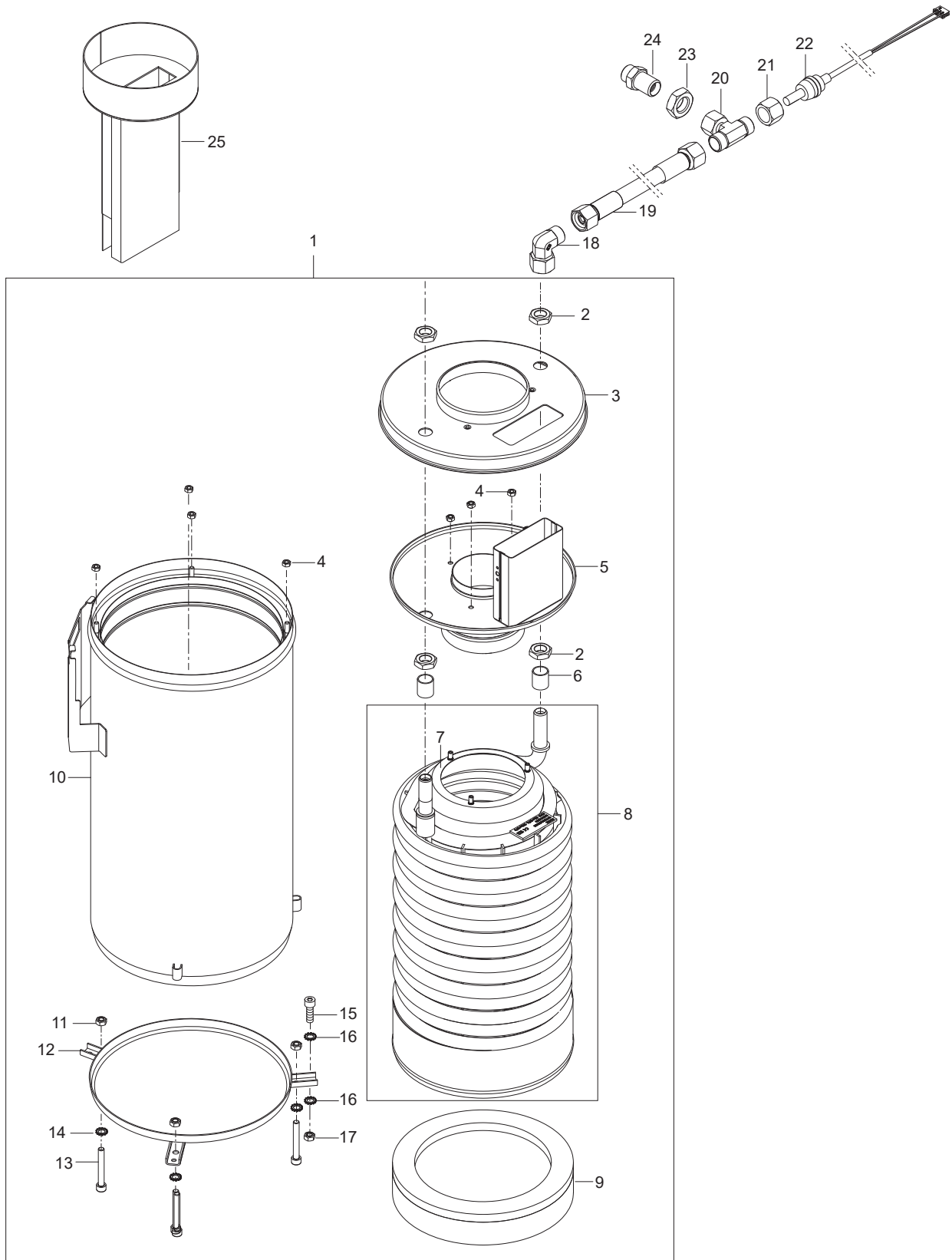
- [1] - TSB-PPW-2016-017 Locking ring for oil level switch falling off



| Pos. | Artikel-Nr. | Menge | Variante                             | Notes |
|------|-------------|-------|--------------------------------------|-------|
| 1    | 107143086   | 1     | FITTING FOR WATER INLET              |       |
| 2    | 107143088   | 2     | O-RING 18.72X2.62                    |       |
| 3    | 1800341     | 1     | Gegenmutter 3/4                      |       |
| 4    | 107143085   | 2     | LOCK PIN                             |       |
| 5    | 107144272   | 1     | FILTER CPL. MH 5000MM2 50µ ACCESSORY |       |
| 6    | 31001100    | 1     | FILTER CARTRIDGE WITHOUT FLANGE      | [1]   |
| 7    | 31001011    | 1     | Glas für Wasserfilter                | [1]   |
| 8    | 11654       | 1     | Schlauchklemme 11,5                  |       |
| 9    | 8298        | 1     | Schlauchschele SGL 16-27             |       |
| 10   | 107143031   | 1     | FUELFLEX HOSE D28/D20 10BAR/20°      |       |
| 11   | 101406100   | 1     | Schlauch 6x3 mm x 5 m                |       |
| 12   | 107143088   | 1     | O-RING 18.72X2.62                    |       |
| 13   | 107143089   | 1     | WATER INLET FITTING FOR PA           |       |

## Part Notes:

- [1] - TSB-PPW-2020-006 Water inlet filter cartridge and filter glass improved  
 TSB-PPW-2020-06 Cartouche de filtre d'entrée d'eau et bocal de filtre amélioré  
 DE TSB-PPW-2020-006 Wasserzulauffilter Glas und Filtereinsatz verbessert

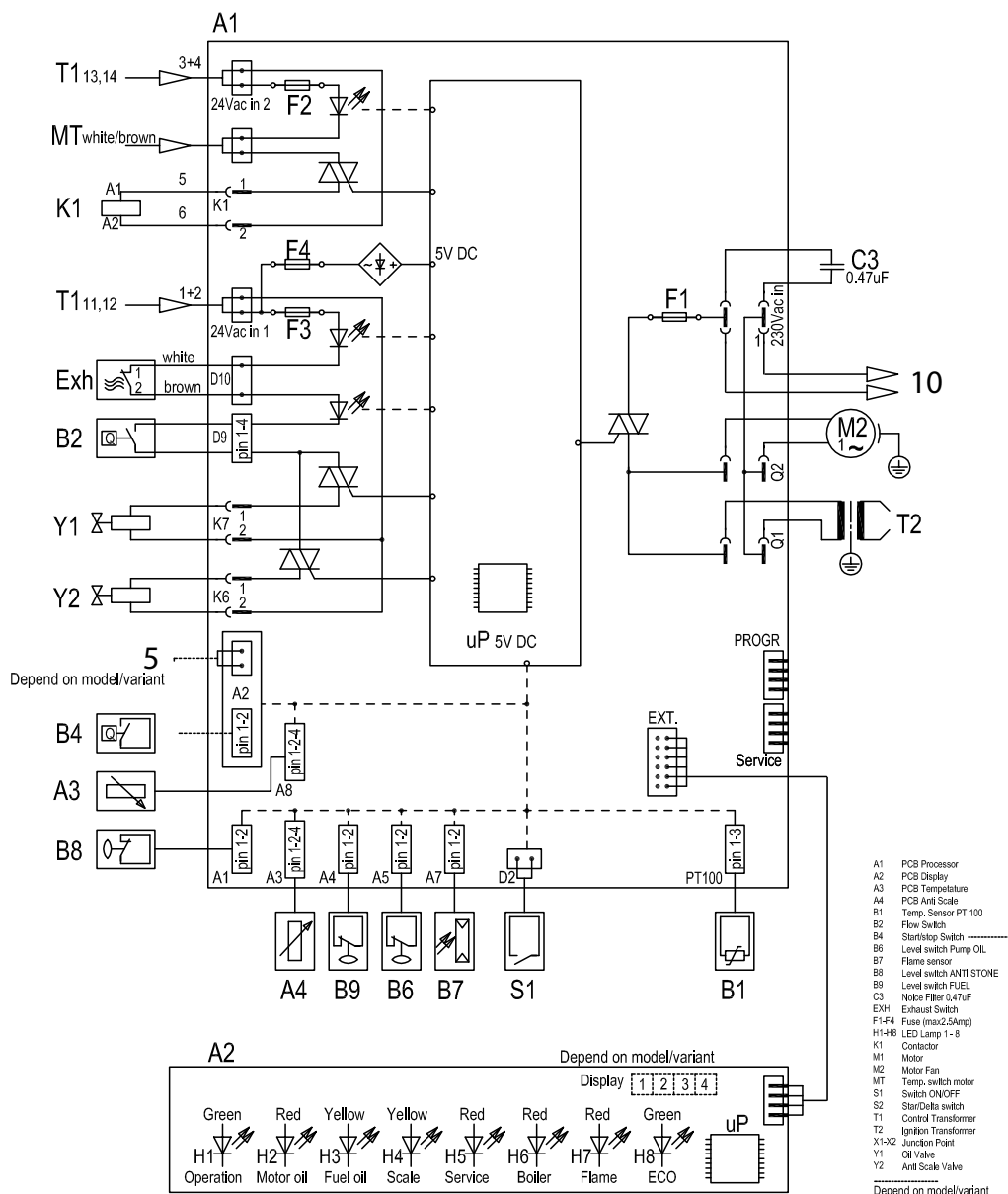


| Pos. | Artikel-Nr. | Menge | Variante                             | Notes |
|------|-------------|-------|--------------------------------------|-------|
| 1    | 107143103   | 1     | HEAT EXCHANGER B2.5, MH              |       |
| 1    | 107143105   | 1     | HEAT EXCHANGER B2.5 SS, MH           |       |
| 2    | 7012        | 4     | Mutter 6kt M18x1,5                   |       |
| 3    | 101117768   | 1     | Brennerdeckel au en                  |       |
| 4    | 12263       | 4     | Sechskantmutter M6                   |       |
| 5    | 31001040    | 1     | INSIDE BOILER TOP CPL B2.5           |       |
| 6    | 301000582   | 2     | Hülse                                |       |
| 7    | 31000527    | 1     | Abschirmkegel FÜR KESSEL             |       |
| 8    | 31001041    | 1     | COIL WELDED B2.5                     |       |
| 8    | 107143302   | 1     | COIL B2.5 SS, MH                     | [1]   |
| 9    | 31001042    | 1     | INSULATION B2.5                      |       |
| 10   | 31001043    | 1     | BOILER JACKET B2.5                   |       |
| 11   | 2758        | 3     | Sechskantmutter M8 DIN 934 zn        |       |
| 12   | 31001044    | 1     | BOTTOM PLATE WELDED B2/2.5           |       |
| 13   | 3453        | 3     | Sechskantschraube M8x60              |       |
| 14   | 1810274     | 3     | Fächerscheibe 8,2 -J- DIN 6798 VA    |       |
| 15   | 4697        | 3     | Zylinderschraube M6x16               |       |
| 16   | 107143146   | 6     | WASHER SERRATED M6                   |       |
| 17   | 11619       | 3     | Sechskantmutter M6 ISO7042 A2K       |       |
| 18   | 101118094   | 1     | Kupplungssatz 90D ISO                |       |
| 19   | 107143067   | 1     | HP HOSE 5/16 DN8 BLACK W/2X DKL      |       |
| 20   | 101118093   | 1     | Verbindungsstück                     |       |
| 21   | 1081        | 1     | Überwurfmutter DIN 3870-A L 12 St/zn |       |
| 22   | 107143083   | 1     | TEMPERATUR SENSOR PT100 W/CABLE      |       |
| 23   | 1803220     | 1     | Mutter M18x1,5 I                     |       |
| 24   | 107143082   | 1     | OUTLET FITTING                       |       |
| 25   | 106403197   | 1     | CHIMNEY ADAPTOR B2/B2.5 ACCESSORY    |       |

## Part Notes:

[1] - TSB-PPW-2017-011 Stainless Steel heat exchangers new stay material and new spare part numbers

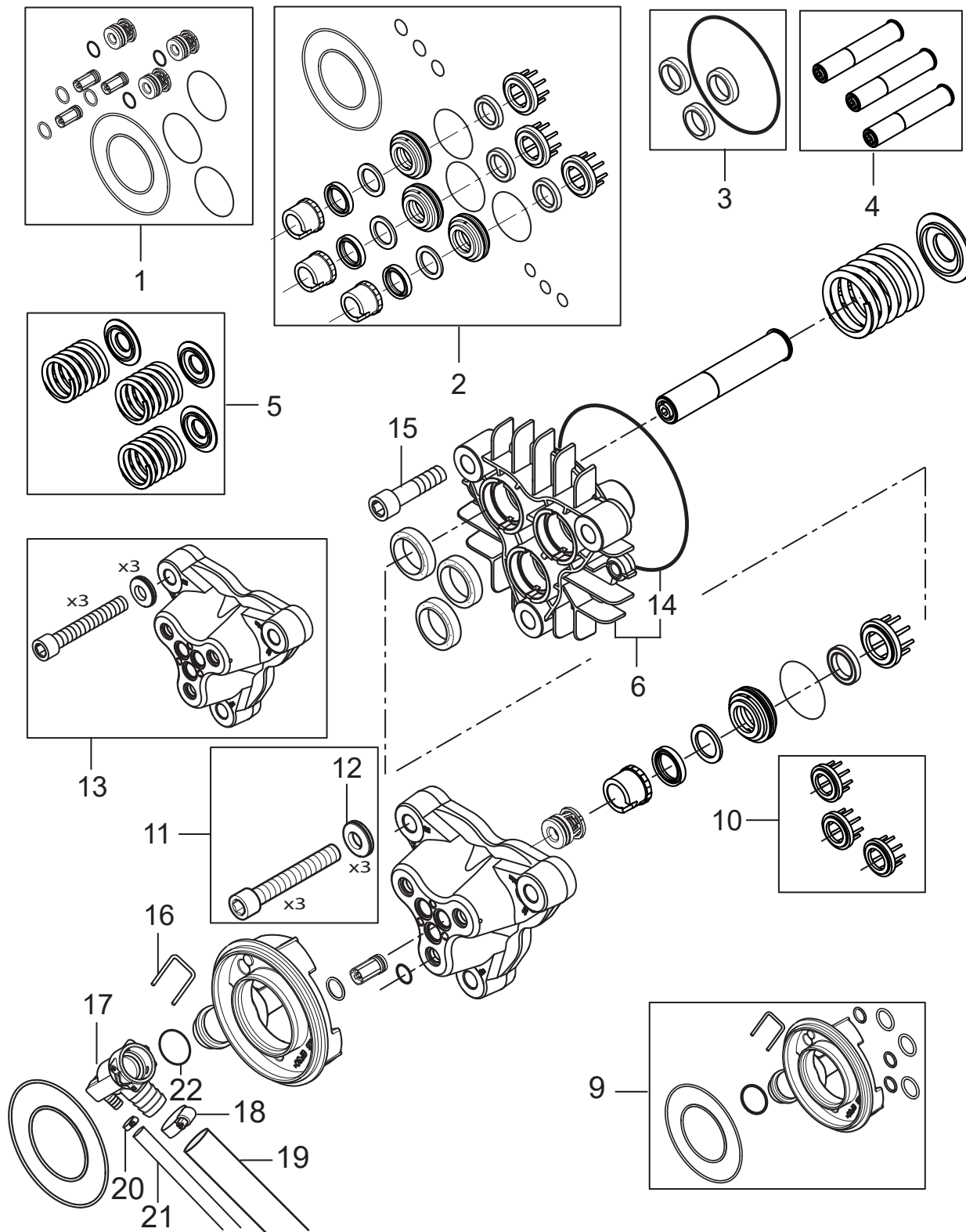




| Pos. | Artikel-Nr. | Menge | Variante                                 | Notes |
|------|-------------|-------|--|-------|
| T1   | 107143052   | 2     | CABLE FOR POWER TRANSFORMER SEC 6X0.75   |       |
| MT   | 107143070   | 1     | CABLE FOR MT                             | [1]   |
| MT   | 107143057   | 1     | CABLE FOR RELAY                          | [2]   |
| MT   | 107143081   | 1     | CABLE FOR MT MH3                         | [3]   |
| K1   | 107143052   | 1     | CABLE FOR POWER TRANSFORMER SEC 6X0.75   |       |
| Exh  | 107143055   | 1     | CABLE FOR HOT WATER MODE AND EXH. SWITCH |       |
| B2   | 107143121   | 2     | REED SWITCH NO W/CABLE                   |       |
| Y1   | 107143095   | 1     | CABLE FOR SOLENOID VALVE 2X0.5           |       |
| Y2   | 107143037   | 1     | DOSING VALVE RPE 24VAC                   |       |
| 5    | 31001037    | 1     | SWITCHBOX ASSEMBLED WITH CABLE           | [4]   |
| 5    | 101118188   | 1     | MICRO-SWITCH KIT                         | [5]   |
| B4   | 107143121   | 2     | REED SWITCH NO W/CABLE                   | [6]   |
| A3   | 107143043   | 1     | CABLE FOR TEMPERATURE ADJUSTMENT         |       |
| B8   | 101118214   | 1     | FLOAT SWITCH KIT                         |       |
| A4   | 107143038   | 1     | CABLE FOR ADJUSTMENT ANTI SCALE          |       |
| B9   | 107143033   | 1     | LEVEL SENSOR FUEL TANK                   | [7]   |
| B9   | 107143059   | 1     | EHR-4 JUMPER                             | [8]   |
| B6   | 101118173   | 1     | OIL SENSOR W/PLUG KIT                    | [9]   |
| B6   | 107143059   | 1     | EHR-4 JUMPER                             | [8]   |
| B7   | 107143100   | 1     | FLAME SENSOR WITH CABLE                  |       |
| S1   | 107143055   | 1     | CABLE FOR HOT WATER MODE AND EXH. SWITCH |       |
| B1   | 107143083   | 1     | TEMPERATUR SENSOR PT100 W/CABLE          |       |
| A1   | 107143053   | 1     | CABLE FOR UI                             |       |
| A2   | 107143098   | 1     | PRIMARY CABLE FOR IGNITION COIL          |       |
| M2   | 107143096   | 1     | MOTOR BURNER - 0.23KW/230V/50HZ/1PH      | [10]  |
| M2   | 107143097   | 1     | MOTOR BURNER 390W/200-240V/50/60HZ       | [11]  |
| 10   | 107143054   | 1     | WIRE BLACK L=400                         | [12]  |
| 10   | 107143058   | 1     | WIRE 1.5MM2 BLACK                        | [2]   |
| C3   | 101117867   | 1     | Entstörglied                             |       |

## Part Notes:

- [1] - MH4
- [2] - MH3 1~
- [3] - MH3 3~
- [4] - MH3
- [5] - NA5 PA
- [6] - NA5 FA
- [7] - MH4+5+6+7
- [8] - MH3+MH4FAL
- [9] - MH4+5+6+7  
MI 107309166 JST Connector
- [10] - All except MH4 JP+ MH4M-200 60Hz
- [11] - MH4 JP+ MH4M-200 60Hz
- [12] - All except MH3 1~



| Pos. | Artikel-Nr. | Menge | Variante                              | Notes |
|------|-------------|-------|---------------------------------------|-------|
| 1    | 101118121   | 1     | Satz Ventile                          |       |
| 2    | 101118323   | 1     | Wasserdichtungssatz                   | [1]   |
| 3    | 107144102   | 1     | Dichtungssatz Kolben                  |       |
| 4    | 101118239   | 1     | PISTON KIT - NA5.2                    |       |
| 5    | 107144104   | 1     | Satz Feder                            |       |
| 6    | 107141983   | 1     | CYLINDER BLOCK W/ O-RING NA5.2        |       |
| 9    | 101118147   | 1     | Einlass Kit NA5                       |       |
| 10   | 107140919   | 1     | SUPPORT RING NA5 SPARE VPE 3          |       |
| 11   | 107141968   | 1     | CYL.SCREW M12X80 WITH NORDLOCK WASHER |       |
| 12   | 107141969   | 3     | WASHER NLX12SP D12.5XD25.4X4.2MM      |       |
| 13   | 107141985   | 1     | CYLINDER HEAD NA5.2 W. SCREWS WASHERS |       |
| 14   | 107141512   | 1     | O-Ring D114 x D1.78                   |       |
| 15   | 4042        | 2     | Schraube M8 X 40 8.8                  |       |
| 16   | 107143085   | 1     | LOCK PIN                              |       |
| 17   | 107143092   | 1     | WATER LIMITER (SMALL)                 | [2]   |
| 17   | 107143000   | 1     | WATER LIMITER (MEDIUM)                | [3]   |
| 18   | 8298        | 2     | Schlauchschelle SGL 16-27             |       |
| 19   | 107143031   | 1     | FUELFLEX HOSE D28/D20 10BAR/20°       |       |
| 20   | 11654       | 1     | Schlauchklemme 11,5                   |       |
| 21   | 106408243   | 1     | HOSE 1/4INCH TRANSPARENT - 5 METERS   |       |
| 22   | 107143088   | 1     | O-RING 18.72X2.62                     |       |

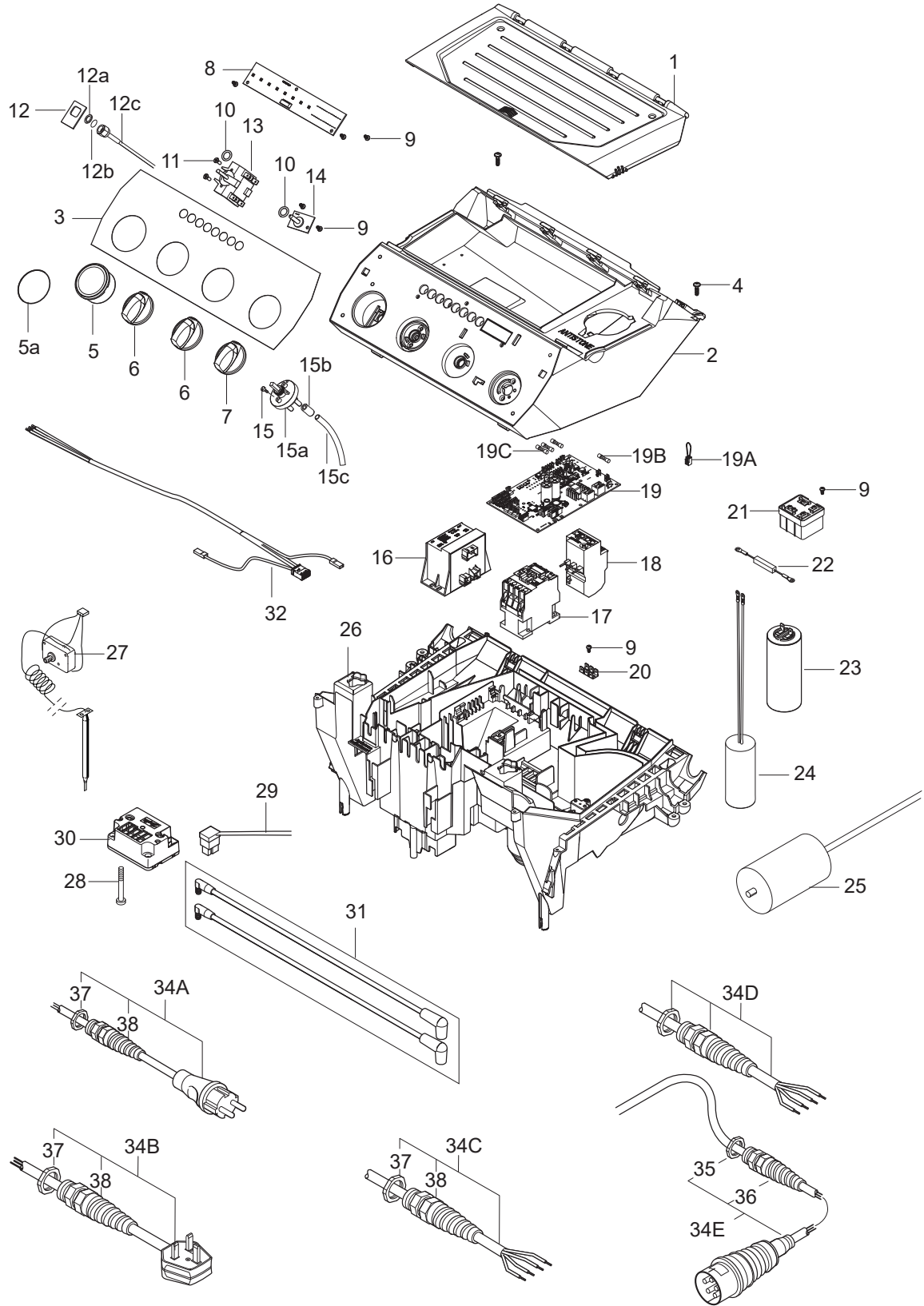
## Part Notes:

- [1] - TSB-PPW-2020-003 NA5 pump THRUST COLLAR changed  
 DE TSB-PPW-2020-003 NA5 Pumpe - Änderung der Druckringe  
 TSB-PPW-2020-003 Nouvelles bagues laiton pour pompe NA5
- [2] - MH 4M-100/680 PA

MH 4M-100/720 FA Gerni

MH 4M-130/720 FA

- [3] - MH 4M-200/960FA
- MH 4M-210/1000PA
- MH 4M-180/890 FA
- MH 4M-180/860 FA
- MH 4M-220/1000 FA

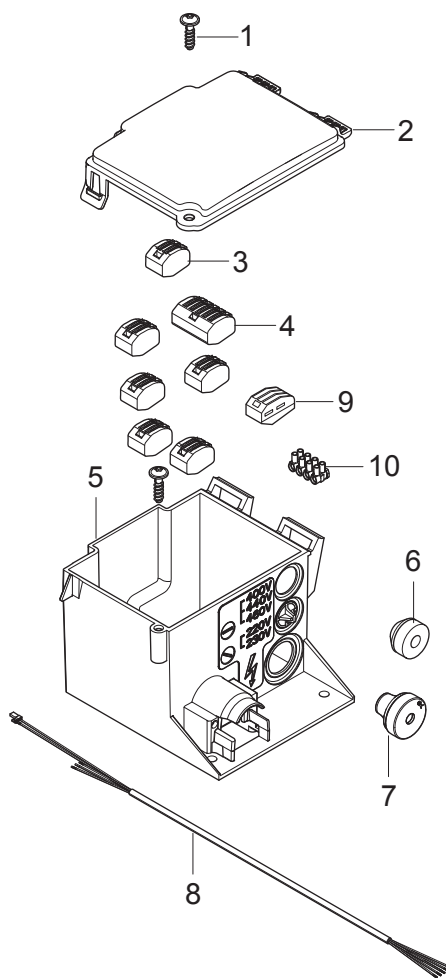


| Pos. | Artikel-Nr. | Menge | Variante                                 | Notes |
|------|-------------|-------|--|-------|
| 1    | 107143046   | 1     | TOOL BOX LID                             |       |
| 2    | 107143045   | 1     | E-BOX TOP                                |       |
| 3    | 107143047   | 1     | LABEL F. CONTR PANEL MEDIUM SPEC NILFISK |       |
| 3    | 107143049   | 1     | LABEL F. CONTROL PANEL LOW SPEC NILFISK  | [1]   |
| 4    | 107141838   | 2     | SCHRAUBE K50X18 WN1451 SCHWARZ TORX 20   |       |
| 5    | 107141648   | 1     | MANOMETER 0-300 BAR                      |       |
| 5a   | 107143050   | 1     | COVER FOR E-BOX (MANO-HOLE)              | [1]   |
| 6    | 909100204   | 2     | Drehknopf 6x5 blau                       |       |
| 7    | 909100214   | 1     | Schalter GR 1 4 Kt                       |       |
| 8    | 107143044   | 1     | PCBA UI LED                              |       |
| 9    | 909100046   | 5     | Schraube 4x8                             |       |
| 10   | 9868        | 2     | O-Ring 10x2,5                            |       |
| 11   | 18274       | 2     | Senkschraube M4x12                       |       |
| 12   | 107141650   | 1     | Halter                                   |       |
| 12a  | 107141651   | 1     | Scheibe DIN125-A13                       |       |
| 12b  | 31000508    | 1     | O-RING NBR                               |       |
| 12c  | 102406647   | 1     | Manometerrohr                            |       |
| 13   | 28877       | 1     | Schalter                                 |       |
| 14   | 101117730   | 1     | PCB FOR POTENTIOMETER                    |       |
| 15   | 1814730     | 2     | Schraube 3,5x10                          |       |
| 15a  | 301001000   | 1     | Ventil                                   |       |
| 15b  | 301001906   | 1     | Verschlusskappe                          |       |
| 15c  | 106408243   | 1     | HOSE 1/4INCH TRANSPARENT - 5 METERS      |       |
| 16   | 107143051   | 1     | POWER TRANSFORMER 230/400V 2X24V         |       |
| 16   | 107143064   | 1     | POWER TRANSFORMER 220-240V/440-460V      |       |
| 16   | 107143068   | 1     | POWER TRANSFORMER 115 / 200V             |       |
| 17   | 103822306   | 1     | Schütz CJX2-D18-B7 24V                   | [2]   |
| 17   | 103822313   | 1     | Schütz 100-C23KJ10                       | [3]   |
| 17   | 103822317   | 1     | Schütz CJX2-D32-B7 24V                   | [4]   |
| 18   | 103822327   | 1     | Thermorelais 12-18A                      | [5]   |
| 19   | 107143151   | 1     | PCBA MH                                  | [6]   |
| 19A  | 101221031   | 1     | Jumper f. Servicerückstellung            |       |
| 19B  | 31001190    | 1     | FUSE 6.3A 5X20 MM 250V                   |       |
| 19C  | 15846       | 3     | Sicherung 5x20 2,5A T                    |       |
| 20   | 107307326   | 1     | ERDUNGSANSCHLUSS 6 PIN                   |       |
| 21   | 107142761   | 1     | START RELAY RVA4G0C                      | [7]   |
| 22   | 107141730   | 1     | DISCHARGE RESISTOR 15KOHM/7W             |       |
| 23   | 107141856   | 1     | CAPACITOR 70UF 450V                      | [8]   |
| 24   | 107143182   | 1     | CAPACITOR 70UF 450/500V RP-3             | [9]   |
| 25   | 107141619   | 1     | CAPACITOR 170MF                          | [10]  |
| 26   | 107143062   | 1     | E-BOX BOTTOM                             |       |
| 27   | 101117723   | 1     | Abgastemperaturüberwachung               |       |
| 28   | 909100149   | 2     | Ejotschraube K50x50 WN 14                |       |
| 29   | 107143098   | 1     | PRIMARY CABLE FOR IGNITION COIL          |       |
| 30   | 101117759   | 1     | Zündtransformator 220-240                | [11]  |
| 31   | 101118220   | 1     | 2 X IGNITION CORDS KIT                   |       |
| 32   | 107143056   | 1     | CABLE FOR POWER TRAF0 PRIM 230V          | [12]  |
| 32   | 107143063   | 1     | CABLE FOR POWER TRANSFORMER PRIM 400V    | [13]  |
| 32   | 107143072   | 1     | CABLE F. POWER TRANSFORMER PRIM 230/400  | [14]  |
| 34A  | 101117809   | 1     | Netzkabel H07RN CEE                      | [15]  |
| 34B  | 101117812   | 1     | Netzkabel H07RN BS13                     | [16]  |
| 34C  | 101117811   | 1     | Netzkabel H07RN 4G1,5                    | [17]  |
| 34C  | 107143099   | 1     | POWER CORD 4X2.5MM2 X9M                  | [18]  |
| 34D  | 101118182   | 1     | POWER CORD H07RN 4G2.5X6M GND 6.3X0.8 NO | [19]  |
| 34E  | 301000834   | 1     | Anschlussleitung Europa                  | [20]  |
| 35   | 909100198   | 1     | Schnur Befestigung                       |       |
| 36   | 909100020   | 1     | Sechskantmutter M25x1,5 EN 50262 PA      |       |
| 37   | 909100019   | 1     | Sechskantmutter M20x1,5 EN 50262 PA      |       |
| 38   | 909100043   | 1     | Kabelverschraubung                       |       |

## Part Notes:

- [1] - FAL
- [2] - All MH3  
MH4-100/680, MH4-130/720, MH4-180/860, MH4-200/960, MH4-210/1000, MH220/1000
- [3] - MH3-160/770 440-220V 3~ 60Hz (EXP)  
MH4-200/960 400-230V 3~ 50Hz (NO)
- [4] - MH4-180/890 200V 3~ 50/60Hz (JP), MH4-200/960 440-220 3~ 60Hz (EXP)
- [5] - Only MH3
- [6] - TSB-PPW-2018-014 MH models Software update  
DE TSB-PPW-2018-014 MH-Modele Software Update
- [7] - TSB-PPW-2018-003 MH\_MC change of start relay and run capacitor  
TSB-PPW-2018-003 MH\_MC Changement du relais de démarrage et du condensateur de fonctionnement
- [8] - MH3: 1ph
- [9] - MH4: 1ph  
TSB-PPW-2018-003 MH\_MC change of start relay and run capacitor
- [10] - MH4: 1ph
- [11] - TSB-PPW-2018-004 Boiler cannot start - no ignition  
FR TSB-PPW-2018-004 Le bruleur ne démarre plus  
DE TSB-PPW-2018-004 Brenner startet nicht - keine Zündung
- [12] - MH3/MH4: 1~
- [13] - MH3/MH4: Star or Delta
- [14] - MH3/MH4: star/delta
- [15] - MH 4M-130/720 FA 230/1/50 EU
- [16] - MH 3M-100/600 PA 230/1/50 UK, MH 4M-100/680 PA 230/1/50 UK
- [17] - MH 3M-160/770 PA 440-220/3/60 EXPT
- [18] - MH 4M-180/890 FA 200/3/50 JP
- [19] - MH 4M-200/960 FAX 400-230/3/50 NO, EXP
- [20] - MH 4M-200/960 FA 400/3/50 EU, MH 4M-180/860 FAL 400/3/50 EU, MH 4M-210/1000 PAX 400/3/50 EU, MH 3M-160/770 PA 400/3/50 EU, MH 4M-220/1000 FAX 400/3/50 EU

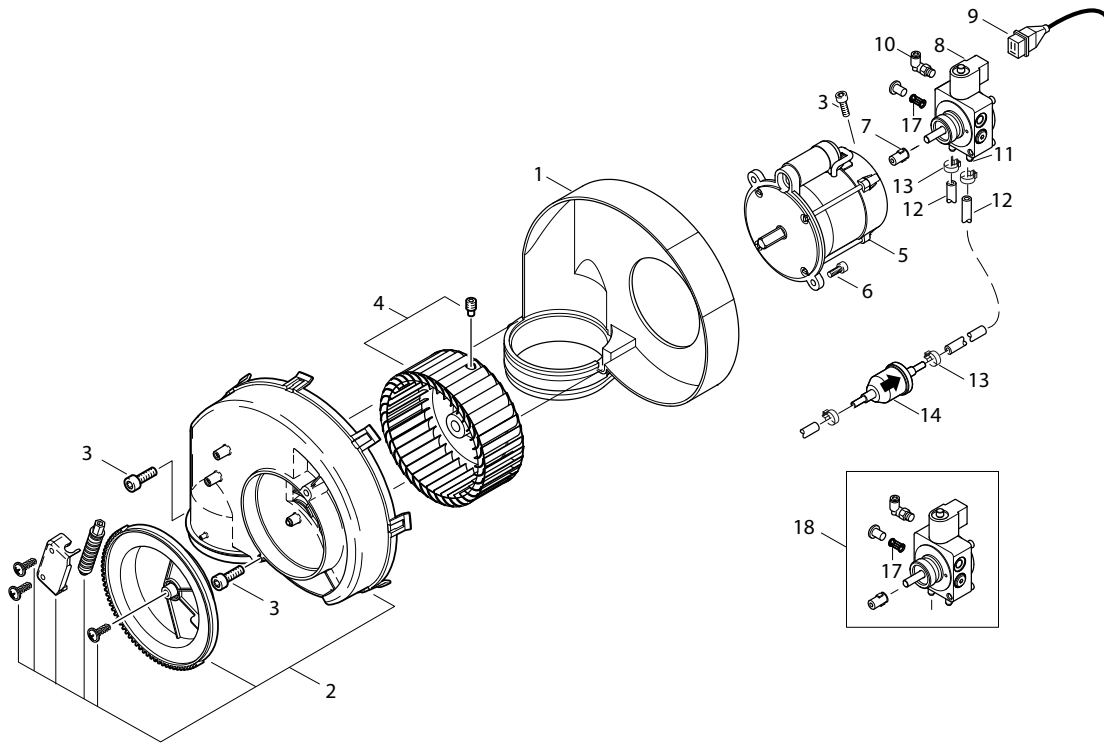




| Pos. | Artikel-Nr. | Menge | Variante                               | Notes |
|------|-------------|-------|--|-------|
| 1    | 107141838   | 1     | SCHRAUBE K50X18 WN1451 SCHWARZ TORX 20 |       |
| 2    | 301000782   | 1     | Deckel                                 |       |
| 3    | 107143069   | 6     | SNAP TERMINAL 2 POL                    |       |
| 4    | 301002165   | 1     | Anschlussklemmenkäfig                  |       |
| 5    | 107143074   | 1     | E-BOX                                  |       |
| 6    | 3803764     | 1     | Stopfbuchse TET 5-7C                   |       |
| 7    | 3803772     | 1     | Tülle                                  |       |
| 8    | 107143075   | 1     | MOTOR CABLE 5G1.5 FOR 3~               | [1]   |
| 8    | 107143076   | 1     | MOTOR CABLE 5G1.5 FOR 1~               | [2]   |
| 8    | 107143071   | 1     | MOTOR CABLE 5G2.5 FOR STAR/DELTA       | [3]   |
| 8    | 107143129   | 1     | MOTOR CABLE 4G4 DELTA MH5-6-7          | [4]   |
| 9    | 107143069   | 1     | SNAP TERMINAL 2 POL                    | [5]   |
| 10   | 107143158   | 1     | TERMINAL BLOCK 4-POL 10MM2             | [6]   |

## Part Notes:

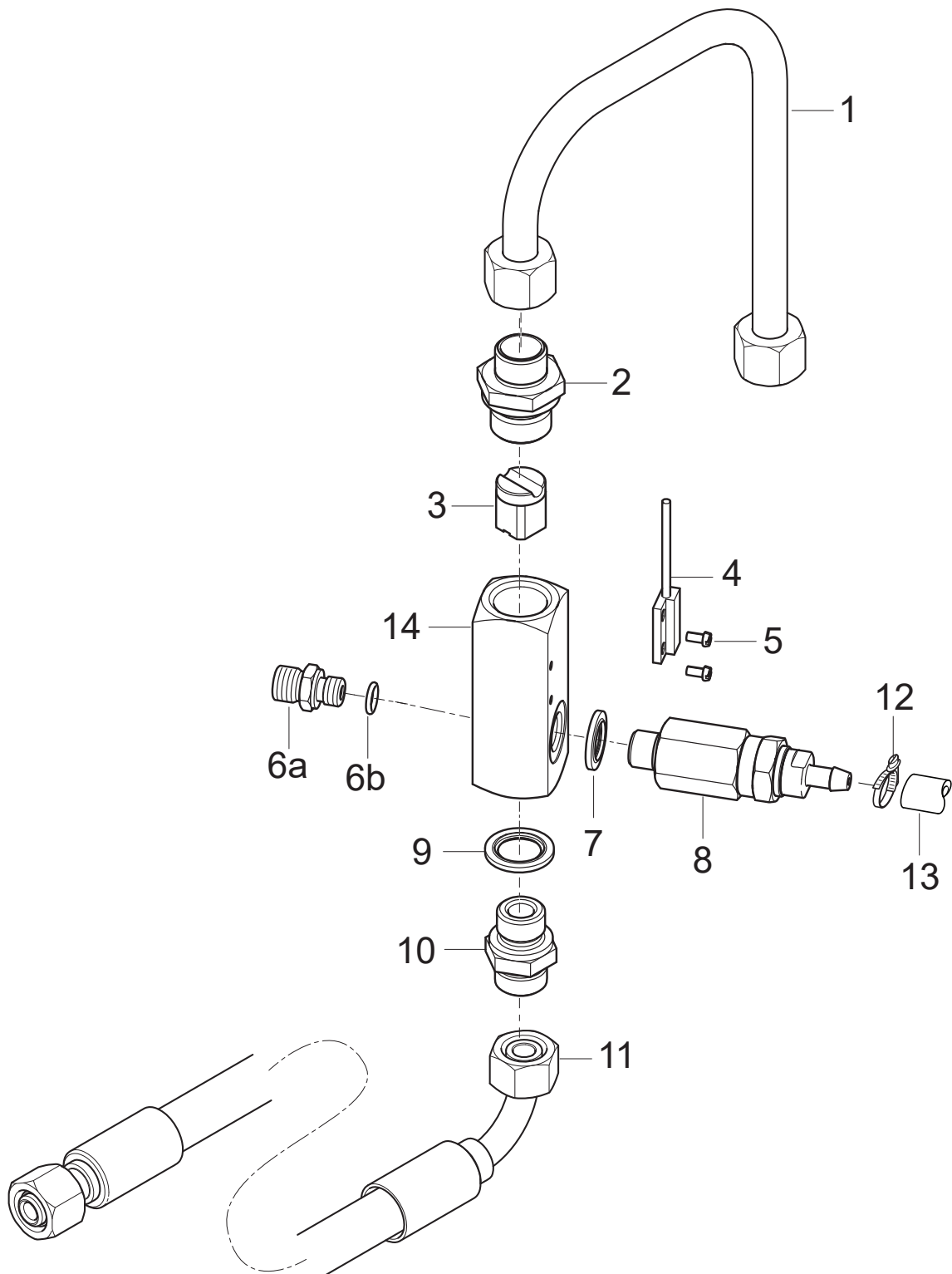
- [1] - MH4, MH5-200
- [2] - MH4 1ph, MH5 1ph
- [3] - MH4 (JP), MH5 (not MH5-200), MH6, MH7
- [4] - MH6 JP, MH7 JP
- [5] - 1~
- [6] - MH5-6-7 - Delta, JP



| Pos. | Artikel-Nr. | Menge | Variante                            | Notes |
|------|-------------|-------|-------------------------------------|-------|
| 1    | 301000495   | 1     | Lüftergehäuse                       |       |
| 2    | 301000852   | 1     | Abdeckung                           |       |
| 3    | 32535       | 3     | Zylinderschraube M5x16              |       |
| 4    | 301000889   | 1     | Lüfterrad                           |       |
| 4    | 301002126   | 1     | Lüfterrad                           | [1]   |
| 5    | 107143179   | 1     | MOTOR BURNER 350W/110-120V/50/60HZ  | [2]   |
| 5    | 107143096   | 1     | MOTOR BURNER - 0.23KW/230V/50HZ/1PH |       |
| 5    | 107143097   | 1     | MOTOR BURNER 390W/200-240V/50/60HZ  | [1]   |
| 6    | 4697        | 2     | Zylinderschraube M6x16              |       |
| 7    | 101117707   | 1     | Verbindungskupplung                 |       |
| 8    | 3821089     | 1     | Spule m. Mutter und Scheibe         |       |
| 9    | 107143095   | 1     | CABLE FOR SOLENOID VALVE 2X0.5      |       |
| 10   | 101117706   | 1     | Winkelverschraubung                 |       |
| 11   | 101117777   | 1     | Schlauchverbindung zur Öl           |       |
| 12   | 106408244   | 1     | HOSE D6X2.5 - 5 METERS              |       |
| 13   | 301001133   | 2     | Schlauchklemme 10/7                 |       |
| 14   | 301002926   | 1     | Filter 101X36.5X6 KU                |       |
| 17   | 31001081    | 1     | FILTER FOR OIL PUMP                 |       |
| 18   | 101117673   | 1     | Ölpumpe komplett                    |       |

## Part Notes:

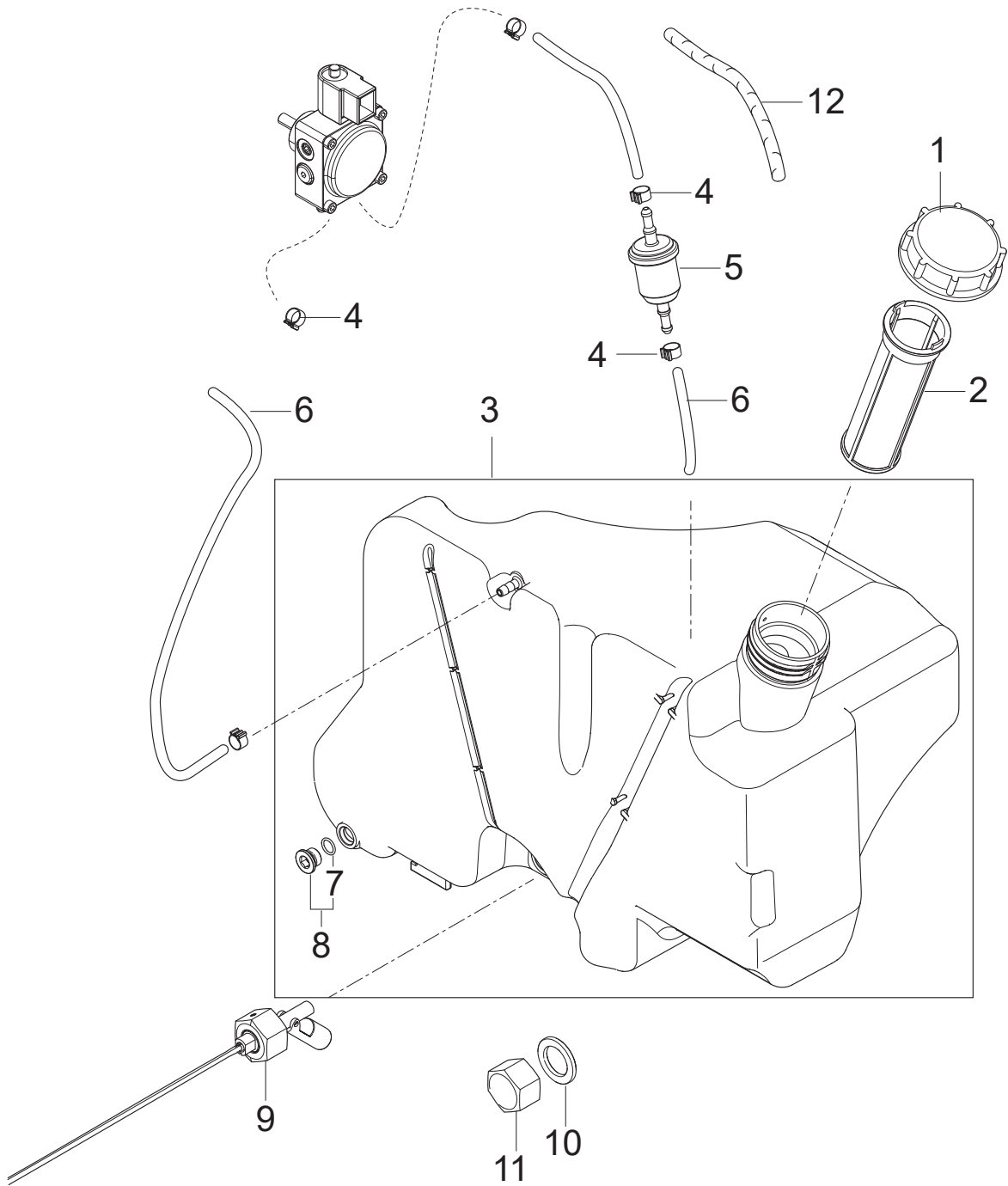
- [1] - JP, EXPT  
 [2] - MH 3C



| Pos. | Artikel-Nr. | Menge | Variante                             | Notes |
|------|-------------|-------|--------------------------------------|-------|
| 1    | 107143115   | 1     | PIPE FLOW CONTROL PA/BOILER B2-B2.5  |       |
| 2    | 107143122   | 1     | THREADED CONNECTION D12X1/2 INCH     |       |
| 3    | 101117798   | 1     | Magnetgehäuse komplett               |       |
| 4    | 107143121   | 1     | REED SWITCH NO W/CABLE               |       |
| 5    | 101118033   | 2     | SCREW M3X6 BRASS                     |       |
| 6a   | 1821        | 1     | Verbindungsstück                     |       |
| 6b   | 3001740     | 1     | O-RING 7.66X1.78 NITRIL 70SH         |       |
| 7    | 1803493     | 1     | Dichtungsscheibe                     |       |
| 8    | 101118290   | 1     | OPENING PRESSURE VALVE 146 BAR KIT   | [1]   |
| 8    | 101118292   | 1     | OPENING PRESSURE VALVE 250 BAR KIT   | [2]   |
| 9    | 1801075     | 1     | Dichtring                            |       |
| 10   | 1601079     | 1     | Verbindungsstück                     |       |
| 11   | 107143118   | 1     | PIPE MPU/FLOW CONTROL NA4 PA         | [3]   |
| 11   | 107143119   | 1     | PIPE MPU/FLOW CONTROL NA5-PA/B2-B2.5 | [4]   |
| 12   | 11654       | 2     | Schlauchklemme 11,5                  |       |
| 13   | 101406100   | 1     | Schlauch 6x3 mm x 5 m                |       |
| 14   | 101118306   | 1     | FLOW CONTROL HOUSING PA              |       |

## Part Notes:

- [1] - MH 4M-100/680
- [2] - MH 4M-210/1000
- [3] - MH3
- [4] - MH4

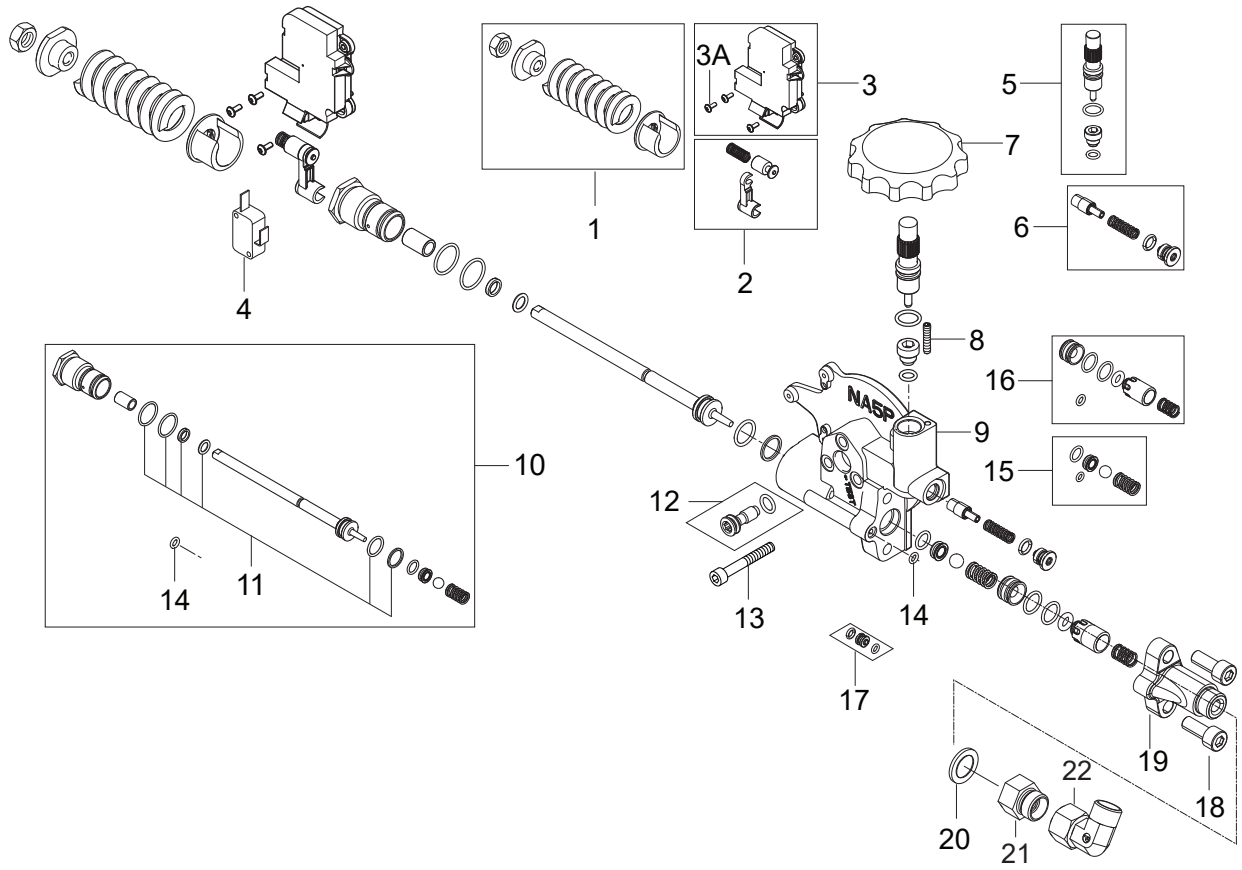


| Pos. | Artikel-Nr. | Menge | Variante               | Notes |
|------|-------------|-------|------------------------|-------|
| 1    | 107143034   | 1     | FUEL TANK LID - RED    |       |
| 2    | 107144862   | 1     | Tankfilter Ø49,5X140   |       |
| 3    | 107143035   | 1     | FUEL TANK 15L          |       |
| 4    | 301001133   | 6     | Schlauchklemme 10/7    |       |
| 5    | 301002926   | 1     | Filter 101X36.5X6 KU   |       |
| 6    | 106408244   | 1     | HOSE D6X2.5 - 5 METERS |       |
| 7    | 3000072     | 1     | O-Ring 10,1 X 1,6 SMS  |       |
| 8    | 6180906     | 1     | Verschlussschraube     | [1]   |
| 9    | 107143033   | 1     | LEVEL SENSOR FUEL TANK |       |
| 10   | 3001237     | 1     | Dichtung               | [2]   |
| 11   | 107143113   | 1     | END CAP 3/4            | [2]   |
| 12   | 107143164   | 1     | BEND PROTECTOR         | [3]   |

Part Notes:

- [1] - STOCK COVERS GUARANTEE
- [2] - MH3/FAL
- [3] - DE TSB-PPW-2017-006 MH 3, 4, 5, 6, 7 Kraftstoffschlauch kann durch zu st...  
TSB-PPW-2017-006 MH 3, 4, 5, 6, 7 Fuel hose can bend and block for fuel

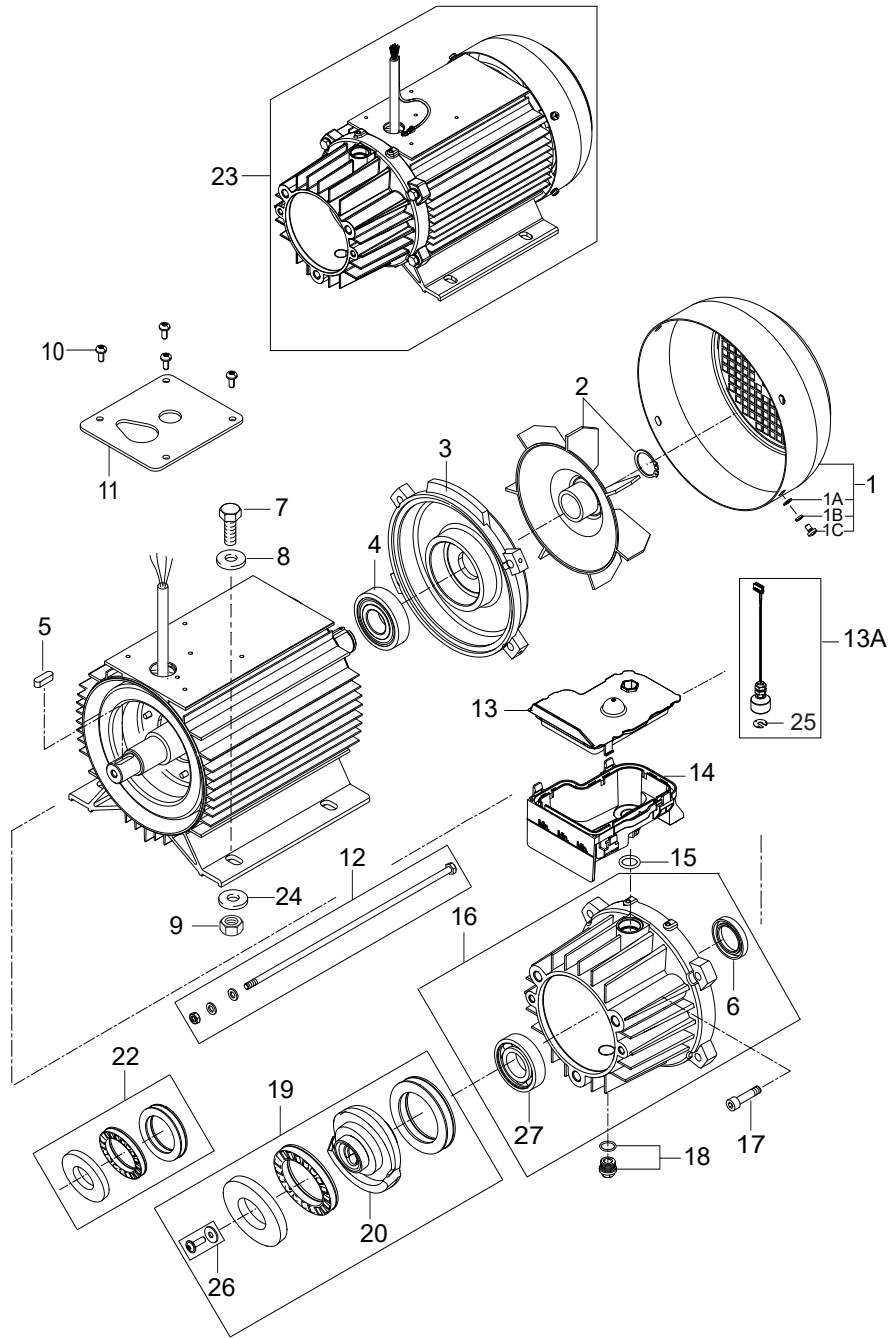




| Pos. | Artikel-Nr. | Menge | Variante                                 | Notes |
|------|-------------|-------|--|-------|
| 1    | 101118091   | 1     | Feder                                    |       |
| 2    | 101118090   | 1     | MICROSW. ACTIVATION REP. KIT NA5 PA      |       |
| 3    | 101118084   | 1     | Schaltergehäuse                          |       |
| 3A   | 107141515   | 3     | SCREW M3X8 ISO7380 FZG TORX 10           |       |
| 4    | 101118188   | 1     | MICRO-SWITCH KIT                         |       |
| 5    | 101118313   | 1     | FLOW REGULATION VALVE KIT                | [1]   |
| 6    | 101118315   | 1     | PRESSURE BUILD UP VALVE LOW FLOW KIT     | [2]   |
| 6    | 101118314   | 1     | PRESSURE BUILD UP VALVE HIGH FLOW KIT    | [3]   |
| 7    | 107143003   | 1     | Einstellknopf NA5/NA6                    |       |
| 8    | 106408188   | 1     | DIN 913 M4X20 POINTED SCREW              |       |
| 9    | 107140884   | 1     | UNLOADER PA NA5                          | [4]   |
| 10   | 101118294   | 1     | STEM + SEALING REP. KIT NA5/5.2/6/6+ PA  | [5]   |
| 11   | 101118083   | 1     | Reparatursatz Steuerkolben               |       |
| 12   | 107144137   | 1     | Stopfen                                  |       |
| 13   | 5100        | 3     | Zylinderschraube M6x45                   |       |
| 14   | 107141514   | 1     | O-RING D4 X D1.5 NBR 90                  |       |
| 15   | 101118295   | 1     | BYPASS VALVE REP. KIT NA5.2 PA           | [5]   |
| 16   | 101118254   | 1     | HOLDING PRESS.V.REP. KIT NA5.2PA - UK AU | [5]   |
| 17   | 101118316   | 1     | DAMPER SEAT WITH O-RING KIT              | [6]   |
| 18   | 8894        | 2     | Schraube M8 x 20 8.8                     |       |
| 19   | 107143110   | 1     | NA5 PA OUTLET MACHINED                   |       |
| 20   | 107143107   | 1     | PACKING RING D23.8XD17.28X2              |       |
| 21   | 107143090   | 1     | ADAPTOR IN 3/8 OUT M18X1.5               |       |
| 22   | 101118094   | 1     | Kupplungssatz 90D ISO                    |       |

## Part Notes:

- [1] - TSB-PPW-2020-001 MH 4\_MH 5M Damper Valve removed  
DE TSB-PPW-2020-001 MH 4 MH 5M Dämpferkolben entfernt
- [2] - MH 4M-100/680 PA 230/1/50 UK  
  
TSB-PPW-2020-001 MH 4\_MH 5M Damper Valve removed  
DE TSB-PPW-2020-001 MH 4 MH 5M Dämpferkolben entfernt
- [3] - MH 4M-210/1000 PAX 400/3/50 EU  
  
TSB-PPW-2020-001 MH 4\_MH 5M Damper Valve removed  
DE TSB-PPW-2020-001 MH 4 MH 5M Dämpferkolben entfernt
- [4] - TSB-PPW-2020-001 MH 4\_MH 5M Damper Valve removed  
DE TSB-PPW-2020-001 MH 4 MH 5M Dämpferkolben entfernt  
TSB-PPW-2020-001 MH 4M5M\_ MC 5M machine en version PA. Supression de l'anti bélier
- [5] - TSB-PPW-2017-005 Low pressure—Unloader valve for NA5.2 pump can leak internally
- [6] - Only for MH 4M and MH 5M single phase UK machines  
  
TSB-PPW-2020-001 MH 4\_MH 5M Damper Valve removed  
DE TSB-PPW-2020-001 MH 4 MH 5M Dämpferkolben entfernt  
TSB-PPW-2020-001 MH 4M5M\_ MC 5M machine en version PA. Supression de l'anti bélier

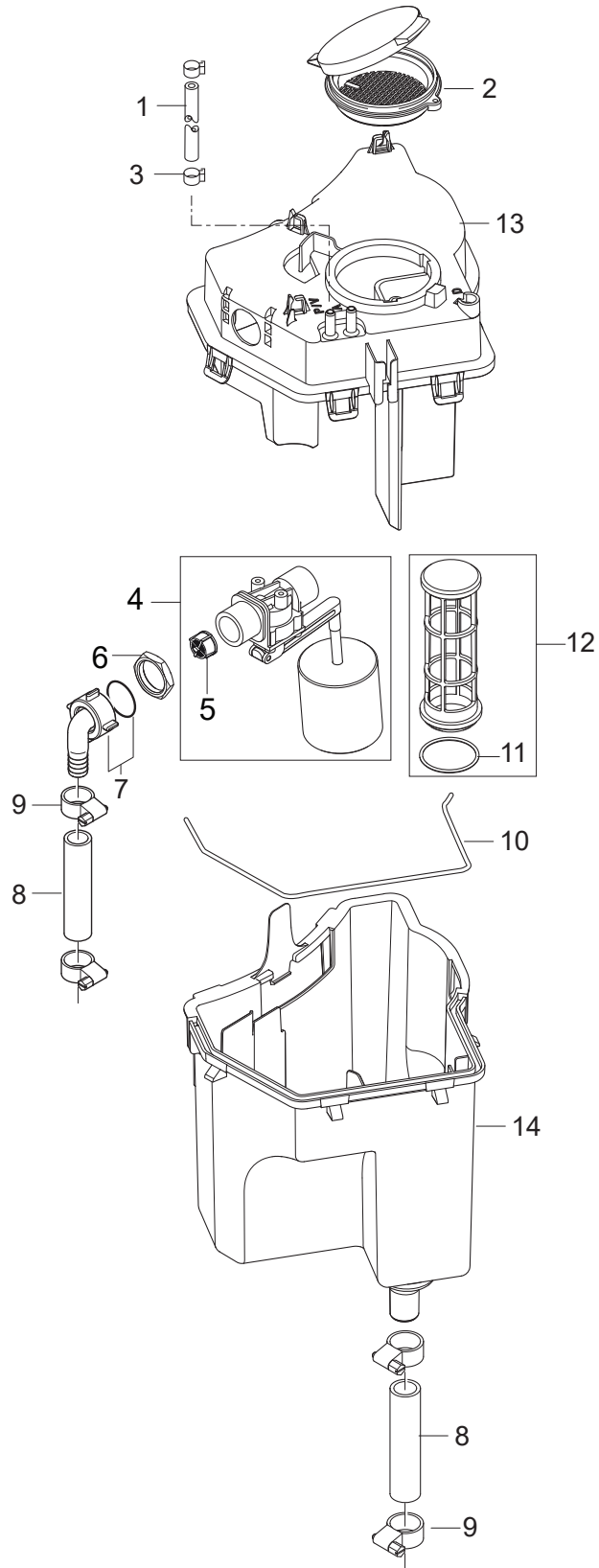


| Pos. | Artikel-Nr. | Menge | Variante                                 | Notes |
|------|-------------|-------|--|-------|
|      | 31001229    | 1     | OIL ISO 150 ALPHASYN-T 20L               |       |
| 0    | 5218433     | 1     | Pumpenöl 150 1x1l                        | [1]   |
| 1    | 107144126   | 1     | Lüfterhaube                              |       |
| 1A   | 2763        | 4     | Scheibe 5,3x1,0 ISO 7089 zn              |       |
| 1B   |             | 4     | Spring washer Ø5                         |       |
| 1C   | 1813781     | 4     | Schraube M5x8 7985 St-zn                 |       |
| 2    | 107144125   | 1     | Lüfterrad                                |       |
| 3    | 31000148    | 1     | Lagerdeckel                              |       |
| 4    | 31000149    | 1     | Lager RF                                 |       |
| 5    | 19639       | 1     | Passfeder A 8x7x25                       |       |
| 6    | G120414     | 1     | Dichtring Ø30XØ47X7                      |       |
| 7    | 1801133     | 4     | Schraube M10X25                          |       |
| 8    | 2767        | 4     | Scheibe 10,5x2,0 ISO 7090 zn             |       |
| 9    | 8952        | 4     | Sechskantmutter M10 ISO 7042 zn          |       |
| 10   | 107140881   | 4     | SCREW M5X12 DIN 7985 TORX                |       |
| 11   | 107140875   | 1     | Dichtung                                 | [2]   |
| 12   | 31000505    | 1     | Schraube M8x290                          |       |
| 12   | 31000504    | 1     | Schraube M8x265                          |       |
| 13   | 107140877   | 1     | Deckel                                   |       |
| 13A  | 101118173   | 1     | OIL SENSOR W/PLUG KIT                    | [3]   |
| 14   | 107143094   | 1     | OIL CONTAINER BOTTOM                     |       |
| 15   | 107140882   | 1     | O-Ring 15,0 x 3,0                        |       |
| 16   | 107141967   | 1     | D-BEARING COVER COMPLETE NA5.2           |       |
| 17   | 107144142   | 4     | Schraube für Pumpengehäus                |       |
| 18   | 107141982   | 1     | OIL PLUG W/O-RING AND MAGNET NA5.2       |       |
| 19   | 101118249   | 1     | WOBBLE DISC 7.2 DEG. BEARING KIT NA5.2   | [4]   |
| 19   | 101118248   | 1     | WOBBLE DISC 7.74 DEG. BEARING KIT NA5.2  | [5]   |
| 19   | 101118246   | 1     | WOBBLE DISC 8.4 DEG. BEARING KIT NA5.2   | [6]   |
| 19   | 101118247   | 1     | WOBBLE DISC 8.7 DEG. BEARING KIT NA5.2   | [7]   |
| 19   | 101118245   | 1     | WOBBLE DISC 9.15 DEG. BEARING KIT NA5.2  | [8]   |
| 19   | 101118244   | 1     | WOBBLE DISC 9.85 DEG. BEARING KIT NA5.2  | [9]   |
| 19   | 101118243   | 1     | WOBBLE DISC 10.2 DEG. BEARING KIT NA5.2  | [10]  |
| 19   | 101118242   | 1     | WOBBLE DISC 10.9 DEG. BEARING KIT NA5.2  | [11]  |
| 20   | 107143108   | 1     | WOBBLE DISC 7.2 DEG. NA5.2               | [4]   |
| 20   | 107141990   | 1     | WOBBLE DISC 7.74 DEG. NA5.2              | [5]   |
| 20   | 107141961   | 1     | WOBBLE DISC 8.4 DEG. NA5.2               | [12]  |
| 20   | 107141962   | 1     | WOBBLE DISC 8.7 DEG. NA5.2               | [7]   |
| 20   | 107141963   | 1     | Taumelscheibe NA5.2                      | [8]   |
| 20   | 107143109   | 1     | WOBBLE DISC 9.85 DEG. NA5.2              | [9]   |
| 20   | 107141964   | 1     | WOBBLE DISC 10.2 DEG. NA5.2              | [13]  |
| 20   | 107141965   | 1     | WOBBLE DISC 10.9 DEG. NA5.2              | [11]  |
| 21   | 101118264   | 1     | MPU NA5.2 PA 5.5KW/400V/50HZ/3PH/10.9DEG | [14]  |
| 22   | 101118240   | 1     | BEARING KIT FA PA - NA5.2                |       |
| 23   | 107141954   | 1     | MOTOR 5.5 KW 220/230-400/440/3/50/60 EU  | [15]  |
| 23   | 107141955   | 1     | MOTOR 5.2 KW/220/1 60HZ 5-52 US          | [16]  |
| 23   | 107141956   | 1     | MOTOR 2.2 KW/230/1 50HZ                  | [17]  |
| 23   | 107141957   | 1     | MOTOR 4KW 200/3/50-60HZ JP 5-47 JP       | [18]  |
| 23   | 107141958   | 1     | MOTOR 4KW 230-400/220-440 3/50-60HZ NA5  | [19]  |
| 24   | 4827        | 4     | Scheibe 10,5x2,5 A ISO 7093-1 zn         |       |
| 25   | 107142593   | 1     | HOLDING WASHER PE                        | [20]  |
| 26   | 107142658   | 1     | NA5.2 WD SCREW AND WASHER                |       |
| 27   | 107144817   | 1     | BEARING KBC 6206 GB/T818                 |       |

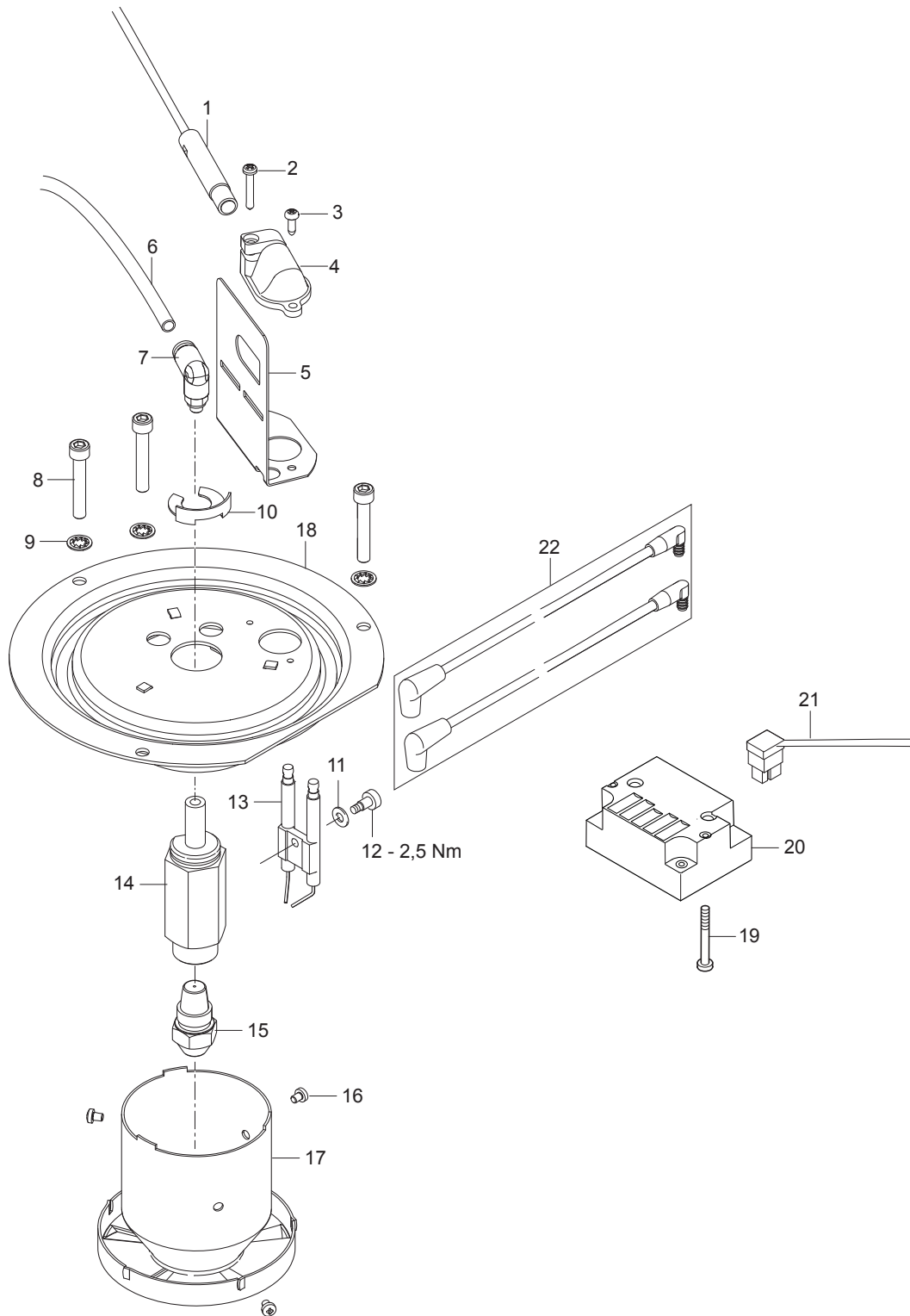
Part Notes:

- [1] - 0,75L - OIL TYPES\_QUANTITY for HPW\_APRIL 2017
- [2] - TSB-PPW-2018-012 NA5\_NA6 mpu. Water enters into the stator.
- [3] - MI 107309166 JST Connector
- [4] - Machine no.107146910, MH 4M-100/680 PA, 107146911 - MH 4M-100/680 PAX
- [5] - Machine no. 107146915 MH 4M-130/720 FA, 107146933 MH 4M-100/720 FA, 107146914 MH 4M-2800/3,8

- 
- [6] - Machine no. 107146919 MH 4M-180/890 FA 200/3/60 JP
  - [7] - Machine no. 107146924 MH 4M-200/960, 107146914 MH 4M-3000/4,2 US
  - [8] - Machine no. 107146916 MH 4M-180/860, 107146917 MH 4M-180/860
  - [9] - Machine no. 107146918 MH 4M-180/890 FA 200/3/50 JP
  - [10] - Machine no. 107146920, 107146921, 107146922, 10714923, 107146934 - MH 4M-200/960 FA
  - [11] - Machine no. 107146912 MH 4M-210/1000 PA, 107146938 MH 4M-220/1000 FA, 107146940 MH 4M-220/1000 FAX
  - [12] - Machine no. 107146919 MH 4M-180/890 FA 200/3/60 JP
  - [13] - Machine no. 107146920, 107146921, 107146922, 10714923, 107146934 - MH 4M-200/960 FA
  - [14] - MH 4M-210/1000 PAX EU
  - [15] - MH 4M-200/960 FA, MH 4M-210/1000 PAX, MH 4M-220/1000 FA  
Also order Gasket for motor, 107140875
  - [16] - Also order Gasket for motor, 107140875
  - [17] - MH 4M-130/720 FA, MH 4M-100/720 FA, MH 4M-100/680 PA  
Also order Gasket for motor, 107140875
  - [18] - MH 4M-180/890 FA JP  
Also order Gasket for motor, 107140875
  - [19] - MH 4M-180/860 FA, MH 4M-180/860 FAL  
Also order Gasket for motor, 107140875
  - [20] - TSB-PPW-2016-017 Locking ring for oil level switch falling off



| Pos. | Artikel-Nr. | Menge | Variante                                 | Notes |
|------|-------------|-------|--|-------|
| 1    | 101406100   | 1     | Schlauch 6x3 mm x 5 m                    |       |
| 2    | 301000561   | 1     | Deckel RP-Behälter                       |       |
| 3    | 301001133   | 2     | Schlauchklemme 10/7                      |       |
| 4    | 101117784   | 1     | Schwimmventil                            |       |
| 5    | 34218       | 1     | Filter Ø19 KU                            |       |
| 6    | 1800341     | 1     | Gegenmutter 3/4                          |       |
| 7    | 107143084   | 1     | HOSE COUPLING 90° 20X3/4 PP W/NUT/GASKET |       |
| 8    | 107143031   | 1     | FUELFLEX HOSE D28/D20 10BAR/20°          |       |
| 9    | 8298        | 4     | Schlauchschelle SGL 16-27                |       |
| 10   | 101406054   | 1     | Dichtung                                 |       |
| 11   | 107143032   | 1     | O-RING D30X2 SHORE70 NBR BLACK           |       |
| 12   | 106403194   | 1     | FILTER FOR WATER BREAK TANK ACCESSORY    |       |
| 13   | 107143060   | 1     | COVER FOR WATER TANK                     |       |
| 14   | 107143030   | 1     | WATER BREAK TANK                         |       |





| Pos. | Artikel-Nr. | Menge | Variante                          | Notes |
|------|-------------|-------|-----------------------------------|-------|
| 1    | 107143100   | 1     | FLAME SENSOR WITH CABLE           |       |
| 2    | 5606        | 1     | Blechschaube 2,9x19               |       |
| 3    | 4036        | 1     | Blechschaube 2,9x9,5              |       |
| 4    | 301000934   | 1     | Halter                            |       |
| 5    | 107143101   | 1     | SHIELD FOR FLAME SENSOR           |       |
| 6    | 909100141   | 1     | Brennstoffleitung 4x1 mm x 1 m    |       |
| 7    | 101117913   | 1     | Winkerverschraubung               |       |
| 8    | 3873        | 3     | Schraube M5x30                    |       |
| 9    | 3376        | 3     | Fächerscheibe 5,3 -A- DIN 6798 VA |       |
| 10   | 101117876   | 1     | Sicherungsring                    |       |
| 11   | 909100144   | 1     | Federscheibe B5                   |       |
| 12   | 909100143   | 1     | Schraube M4x4,5                   |       |
| 13   | 301150009   | 1     | Elektrode                         |       |
| 14   | 101117915   | 1     | Düsenstock                        |       |
| 15   | 61659       | 1     | Düse 1.25 GAL 60°                 | [1]   |
| 16   | 51848       | 3     | Linsenschraube M3x 4 DIN 7985 zn  |       |
| 17   | 107143102   | 1     | AIR DISTRIBUTOR CPL.              |       |
| 17   | 107145775   | 1     | AIR DISTRIBUTOR Ø 77.5            | [2]   |
| 18   | 101117757   | 1     | Abdeckung Brenner komplet         |       |
| 19   | 909100149   | 2     | Ejotschraube K50x50 WN 14         |       |
| 20   | 101117759   | 1     | Zündtransformator 220-240         | [3]   |
| 20   | 101117959   | 1     | COFI TRH2-30CU VD 120V 50/60HZ    | [4]   |
| 21   | 107143098   | 1     | PRIMARY CABLE FOR IGNITION COIL   |       |
| 22   | 101118220   | 1     | 2 X IGNITION CORDS KIT            |       |

Part Notes:

[1] - 70kW

MH 4M: Machine no. 107146910, 107146911, 107146912, 107146913, 107146914, 107146916, 107146917, 107146918, 107146919, 107146920, 107146921, 107146922, 107146923, 107146924, 107146934, 107146938, 107146940

[2] - to be used on B2.5 where the location is higher than 1000m above see level

[3] - TSB-PPW-2018-004 Boiler cannot start - no ignition

FR TSB-PPW-2018-004 Le bruleur ne démarre plus

DE TSB-PPW-2018-004 Brenner startet nicht - keine Zündung

[4] - US



| Pos. | Artikel-Nr. | Menge | Variante                                 | Notes |
|------|-------------|-------|--|-------|
| C    | 107145780   | 1     | RADKAPPE FUER RAD Ø300X65                |       |
| C    | 46363       | 1     | Klemmscheibe                             |       |
| C    | 107145637   | 1     | RAD D300X65 (STARCO)                     |       |
| C    | 107143304   | 1     | Rad D250 mit Abdeckung                   |       |
| B    | 106408244   | 1     | HOSE D6X2.5 - 5 METERS                   |       |
| A    | 301002926   | 1     | Filter 101X36.5X6 KU                     |       |
| A    | 101117784   | 1     | Schwimmerventil                          |       |
| A    | 34218       | 1     | Filter Ø19 KU                            |       |
| B    | 106403194   | 1     | FILTER FOR WATER BREAK TANK ACCESSORY    |       |
| B    | 107143033   | 1     | LEVEL SENSOR FUEL TANK                   |       |
| A    | 107144146   | 1     | Pumpenöl NA5 1 Liter                     |       |
| C    | 101118240   | 1     | BEARING KIT FA PA - NA5.2                |       |
| C    | 101118242   | 1     | WOBBLE DISC 10.9 DEG. BEARING KIT NA5.2  |       |
| C    | 101118243   | 1     | WOBBLE DISC 10.2 DEG. BEARING KIT NA5.2  |       |
| C    | 101118244   | 1     | WOBBLE DISC 9.85 DEG. BEARING KIT NA5.2  |       |
| C    | 101118245   | 1     | WOBBLE DISC 9.15 DEG. BEARING KIT NA5.2  |       |
| C    | 101118247   | 1     | WOBBLE DISC 8.7 DEG. BEARING KIT NA5.2   |       |
| C    | 101118246   | 1     | WOBBLE DISC 8.4 DEG. BEARING KIT NA5.2   |       |
| C    | 101118248   | 1     | WOBBLE DISC 7.74 DEG. BEARING KIT NA5.2  |       |
| C    | 101118249   | 1     | WOBBLE DISC 7.2 DEG. BEARING KIT NA5.2   |       |
| C    | 107144125   | 1     | Lüfterrad                                |       |
| C    | 31000149    | 1     | Lager RF                                 |       |
| C    | G120414     | 1     | Dichtring Ø30XØ47X7                      |       |
| A    | 101118121   | 1     | Satz Ventile                             |       |
| A    | 101118323   | 1     | Wasserdichtungssatz                      |       |
| A    | 107144102   | 1     | Dichtungssatz Kolben                     |       |
| A    | 101118239   | 1     | PISTON KIT - NA5.2                       |       |
| A    | 107144104   | 1     | Satz Feder                               |       |
| A    | 107141968   | 1     | CYL.SCREW M12X80 WITH NORDLOCK WASHER    |       |
| A    | 107141969   | 1     | WASHER NLX12SP D12.5XD25.4X4.2MM         |       |
| A    | 101118084   | 1     | Schaltergehäuse                          |       |
| A    | 101118254   | 1     | HOLDING PRESS.V.REP. KIT NA5.2PA - UK AU |       |
| A    | 101118294   | 1     | STEM + SEALING REP. KIT NA5/5.2/6/6+ PA  |       |
| A    | 101118315   | 1     | PRESSURE BUILD UP VALVE LOW FLOW KIT     |       |
| A    | 101118314   | 1     | PRESSURE BUILD UP VALVE HIGH FLOW KIT    | [1]   |
| A    | 101118295   | 1     | BYPASS VALVE REP. KIT NA5.2 PA           |       |
| A    | 101118055   | 1     | MAGNET AND HOUSE FOR FLOW SWITCH-KIT NA6 |       |
| A    | 107143121   | 1     | REED SWITCH NO W/CABLE                   |       |
| A    | 101117896   | 1     | Rückschlagventil mit                     |       |
| A    | 101118191   | 1     | SEALING KIT FOR MALE STUD                |       |
| A    | 1119566     | 1     | Reparatursatz fuer Ruecks                |       |
| A    | 106403194   | 1     | FILTER FOR WATER BREAK TANK ACCESSORY    |       |
| A    | 31001100    | 1     | FILTER CARTRIDGE WITHOUT FLANGE          |       |
| C    | 107143044   | 1     | PCBA UI LED                              |       |
| C    | 28877       | 1     | Schalter                                 |       |
| A    | 107143151   | 1     | PCBA MH                                  |       |
| C    | 107143051   | 1     | POWER TRANSFORMER 230/400V 2X24V         |       |
| C    | 107143064   | 1     | POWER TRANSFORMER 220-240V/440-460V      |       |
| C    | 107143068   | 1     | POWER TRANSFORMER 115 / 200V             |       |
| B    | 107307326   | 1     | ERDUNGSANSCHLUSS 6 PIN                   |       |
| B    | 103822313   | 1     | Schütz 100-C23KJ10                       |       |
| B    | 103822316   | 1     | Schütz CJX2-D32-F7 110V                  |       |
| B    | 103822327   | 1     | Thermorelais 12-18A                      |       |
| C    | 107143098   | 1     | PRIMARY CABLE FOR IGNITION COIL          |       |
| C    | 301002505   | 1     | Zündkabel 7 x 500                        | [2]   |
| B    | 107143100   | 1     | FLAME SENSOR WITH CABLE                  |       |
| C    | 107143033   | 1     | LEVEL SENSOR FUEL TANK                   |       |
| A    | 301002856   | 1     | Öldüse 0,75 / 60                         |       |
| A    | 2802712     | 1     | Öl Düse 1.0 GAL 60 Grad                  |       |

| Pos. | Artikel-Nr. | Menge | Variante                       | Notes |
|------|-------------|-------|--------------------------------|-------|
| A    | 61659       | 1     | Düse 1.25 GAL 60°              |       |
| C    | 101117723   | 1     | Abgastemperaturüberwachun      |       |
| A    | 31001042    | 1     | INSULATION B2.5                |       |
| A    | 101117684   | 1     | Isolation kit Neptune 2        |       |
| A    | 101117673   | 1     | Ölpumpe komplett               |       |
| B    | 3821089     | 1     | Spule m. Mutter und Scheibe    |       |
| B    | 107143095   | 1     | CABLE FOR SOLENOID VALVE 2X0.5 |       |
| A    | 107143123   | 1     | SWIVEL FOR HOSE REEL           |       |
| A    | 62696       | 1     | Sechskantmutter M24x1,5x       |       |
| A    | 107143017   | 1     | BACK-UP RING                   |       |
| A    | 19620       | 1     | O-Ring 15,54x2,62              |       |
| A    | 1802057     | 1     | Seegerring U 20 x1,2           |       |

## Part Notes:

- [1] - TSB-PPW-2020-001 MH 4\_MH 5M Damper Valve removed  
 [2] - GUARANTEE DATE EXPIRED

