

# PARTS LIST

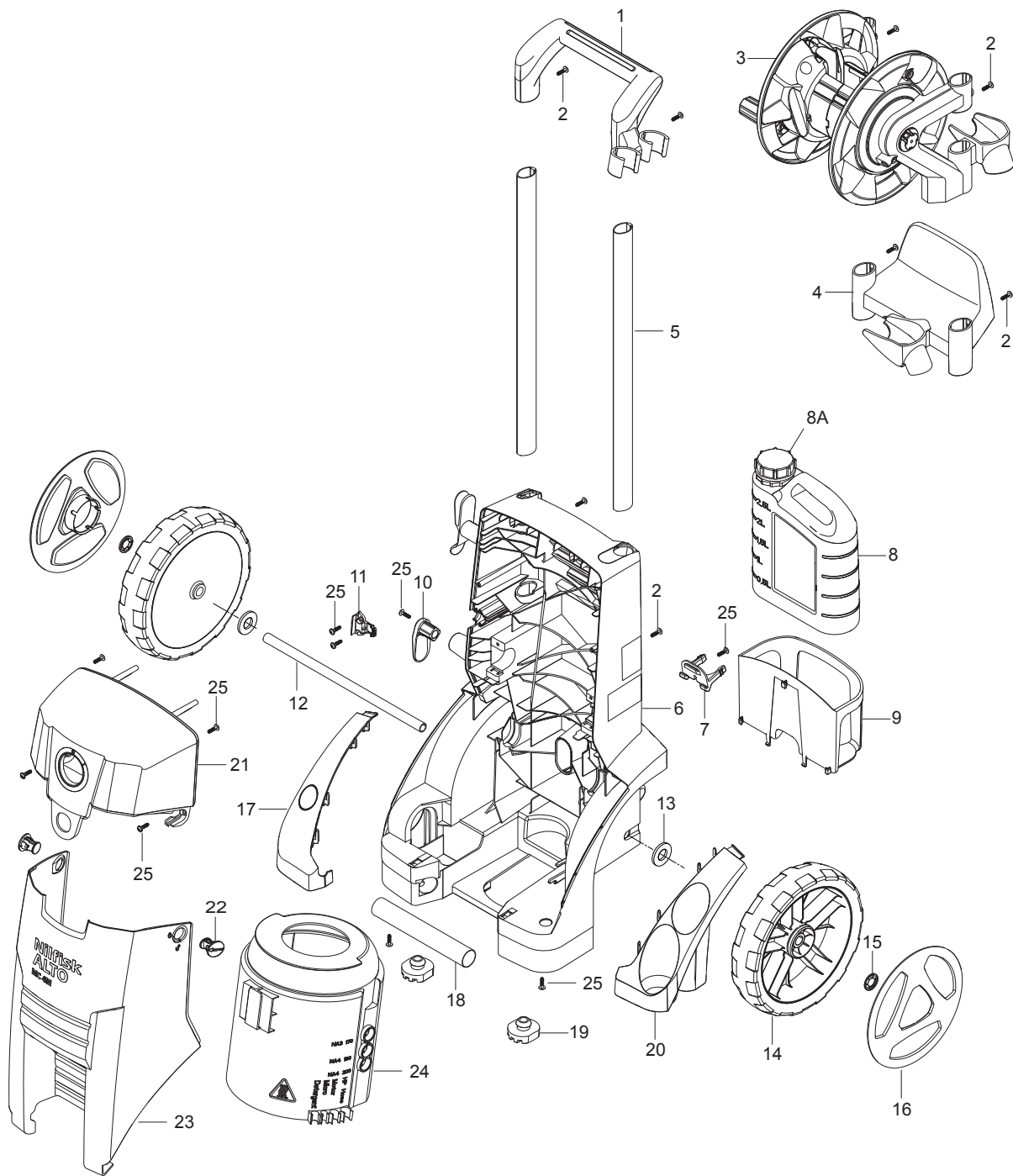


2022.09.27

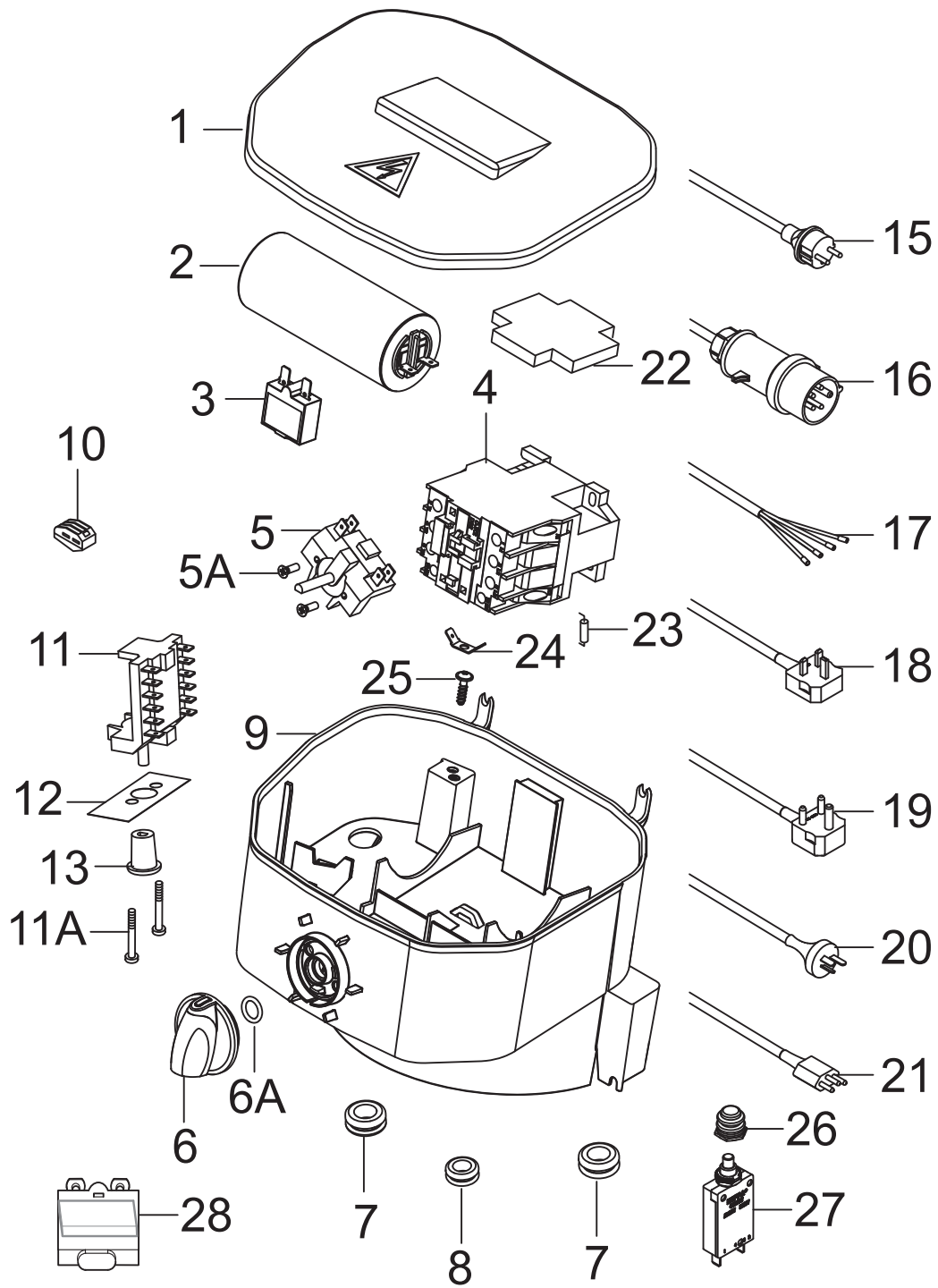
# TABLE OF CONTENTS

---

Overview .....	1
Electric box .....	3
107145803 - Hose reel MC3, MC4 .....	6
Motor MC4 .....	8
Pump wihtout easy start and without injector .....	10
Recommended spare part .....	13
Default accessories .....	15



Pos.	Artikel-Nr.	Menge	Variante	Notes
0	107142623	1	10 PCS CARD BOX NILFISK MC 3C - MC 4M	
1	107142500	1	HANDLE MC 3-4	
2	909100425	4	1x Schraube M6X12	
3	107145803	1	Schlauchtrommel Set für M	
4	107142501	1	HOSE HOOK MC 3-4	
5	107142502	2	ALU PROFILE 25X35 MC 3-4	
6	107142503	1	CHASSIS MC 3-4	
7	107142504	1	HOLDER F. FOAM GUN	
8	107141635	1	Reinigungsmitteltank	
8A	107141664	1	Deckel	
9	107142505	1	Halterung Kanister	
10	107142507	1	CABLE HOOK MC 3-4	
11	107142509	1	CABLE CLAMP MC 3-4	
12	301002304	1	Achse	
13	909100426	2	2x Beilagscheibe DIN34815	
14	107142510	2	WHEEL 250x55	
15	11710	2	Klemming 15	
16	107142511	2	WHEEL CAP F. WHEEL ?250X55 NILFISK	
17	107142515	1	WHEEL CABINET RIGHT MC 3-4	
18	107142517	1	HANDLE - ALU BAR	
19	301002301	2	Stützfuß	
20	107142518	1	WHEEL CABINET LEFT MC 3-4	
21	107142520	1	CABINET E-BOX MC 3-4	
22	301000584	2	Verriegelung	
23	107142523	1	CABINET MC 4M	
24	107142525	1	FAN CAP	
25	107141838	10	SCHRAUBE K50X18 WN1451 SCHWARZ TORX 20	

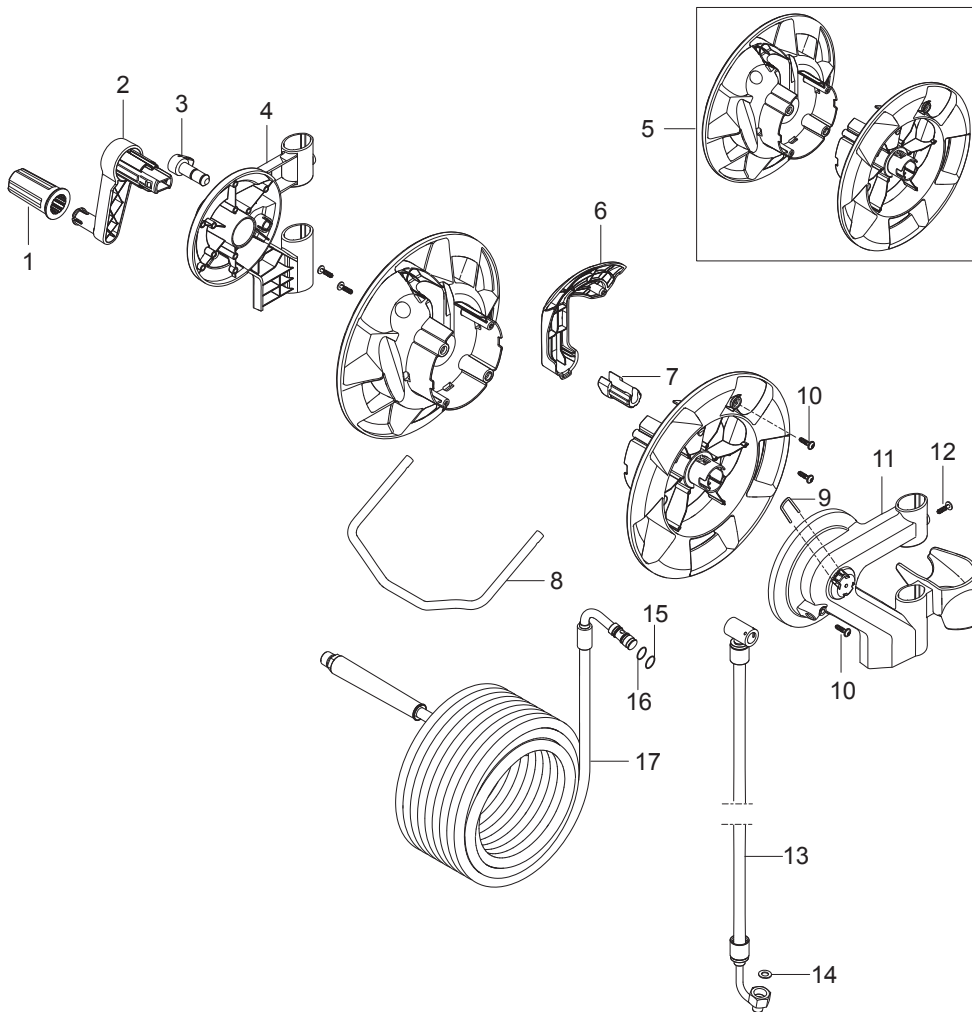


Pos.	Artikel-Nr.	Menge	Variante	Notes
1	107142547	1	E-BOX LID MC 3-4	
2	107141856	1	CAPACITOR 70uF 450V	
3	107142548	1	FUSE 16 AMPS TYPE 2-5700-IG2-P10-DD-16A	[1]
3	301002322	1	Sicherung 16 A	
4	103822300	1	Schütz CJX2-D12-V7 400V	
4	103822304	1	Schütz CJX2-D18 18A 230V 3P+NO	[2]
4	63905	1	Schütz 3x200/230 V	[3]
5	301001058	1	Schalter	
5A	18274	2	Senkschraube M4x12	
6	909100204	1	Drehknopf 6x5 blau	
6A	9868	1	O-Ring 10x2,5	
7	301002284	2	Tülle	
8	3803772	1	Tülle	
9	107142550	1	E-BOX BOTTOM MC 3-4	
10	301001229	1	Klemmleiste	
11	64579	1	Drehschalter Stern-Dreieck	
11A	3389	2	Zylinderschraube M4 x 20 ISO 1207 zn	
12	107142551	1	LABEL 230-400V CHANGE-OVER 74X28	
13	64580	1	Drehknopf	[4]
15	107142552	1	POWER CORD - H07RN-F 3G1.5X6M. CEE 7 1 P	[5]
15	107146542	1	POWER C. H07RN-F 3G1.5X6M CEE 7 1PH SPPT	[6]
16	107142553	1	POWER CORD - H07RN-F 4G1.5X6M. CEE 5 3 P	[7]
17	107142554	1	POWER CORD - H07RN-F 4G1.5X6M. Y/D 3PH	[8]
18	107146545	1	POWER C. H07RN-F 3G1.5X6M BS 1PH SPPT	[9]
18	107142555	1	POWER CORD H07RN-F 3G1.5X6M BS1363 1PH	[10]
19	107142556	1	POWER CORD H07RN-F 3G1.5X6M SABS 164 1	[11]
20	107146546	1	POWER C. H07RN-F 3G1.5X6M 1PH T.P SPPT	[12]
21	107146543	1	POWER C. H07RN-F 3G1.5X6M 1PH SPPT	[13]
22	64773	1	Hilfskontakt 100-SBL11	
23	301000074	1	Widerstand 470 ohm/3W	
24	107142559	1	FASTON TAB TERMINAL DOUBLE STUD 45°	
25	107141838	1	SCHRAUBE K50X18 WN1451 SCHWARZ TORX 20	
26	107142564	1	FUSE CAP ETA TYPE X 200 801 08 (UNITOR)	[14]
27	107142548	1	FUSE 16 AMPS TYPE 2-5700-IG2-P10-DD-16A	[14]
28	107143309	1	FUSE ETA 16A W/FOAM AND ADHESIVE	[15]
NS	107146778	1	MC 3-4 1PH REWORK KIT	[16]
NS	107146547	1	WIRE BROWN 1,5MM2 200MM SPPT	[17]
NS	107146548	1	WIRE BLUE 1,5MM2 200MM SPPT	[17]
NS	107146549	1	WIRE BLACK 1,5MM2 140 MM SPPT	[17]

## Part Notes:

- [1] - UNITOR HPC 3C - 150/660
- [2] - UK, EXPT
- [3] - 220/440/3/60 EXPT, 230/400/3/50 NO
- [4] - TSB-PPW-2016-007 Rotary knob for Voltage selector switch 230V-400V must be sealed with lacquer  
DE TSB-PPW-2016-007 Drehknopf des Spannungsauswahlschalters 230V-400V muss mit Lack versiegelt werden
- [5] - UNITOR, MC 3C-140/660 230/1/50/16 EU
- [6] - MC 4M-140/620 EU, MC 3C-140/660 EU
- [7] - MC 3C-160/770 , MC 4M-180/740, MC 4M-160/720
- [8] - MC 3C-170/820, MC 4M-180/740, MC 4M-160/720
- [9] - MC 4M-100/770 UK, MC 4M-140/620 UK, MC 3C-150/570 UK, MC 3C-140/570 UK
- [10] - MC 3C-150/570, MC 4M-100/770, MC 4M-140/620  
MC 3-4 1~ Rework
- [11] - MC 4M-160/620 (ZA)
- [12] - MC 4M-160/620 (AU)
- [13] - 220/1/60 (BR)
- [14] - UNITOR

- [15] - UK, 1ph  
TSB-HPW-2021-001 MC 3 MC 4 Fuse Internal Tripping  
DE TSB-HPW-2021-001 MC 3 MC 4 - Interne Sicherung löst aus  
FR TSB-HPW-2021-001 Fusible MC3\_4
- [16] - TSB-HPW-2021-001 MC 3 MC 4 Fuse Internal Tripping  
DE TSB-HPW-2021-001 MC 3 MC 4 - Interne Sicherung löst aus  
FR TSB-HPW-2021-001 Fusible MC3\_4
- [17] - 1ph - part of rework kit

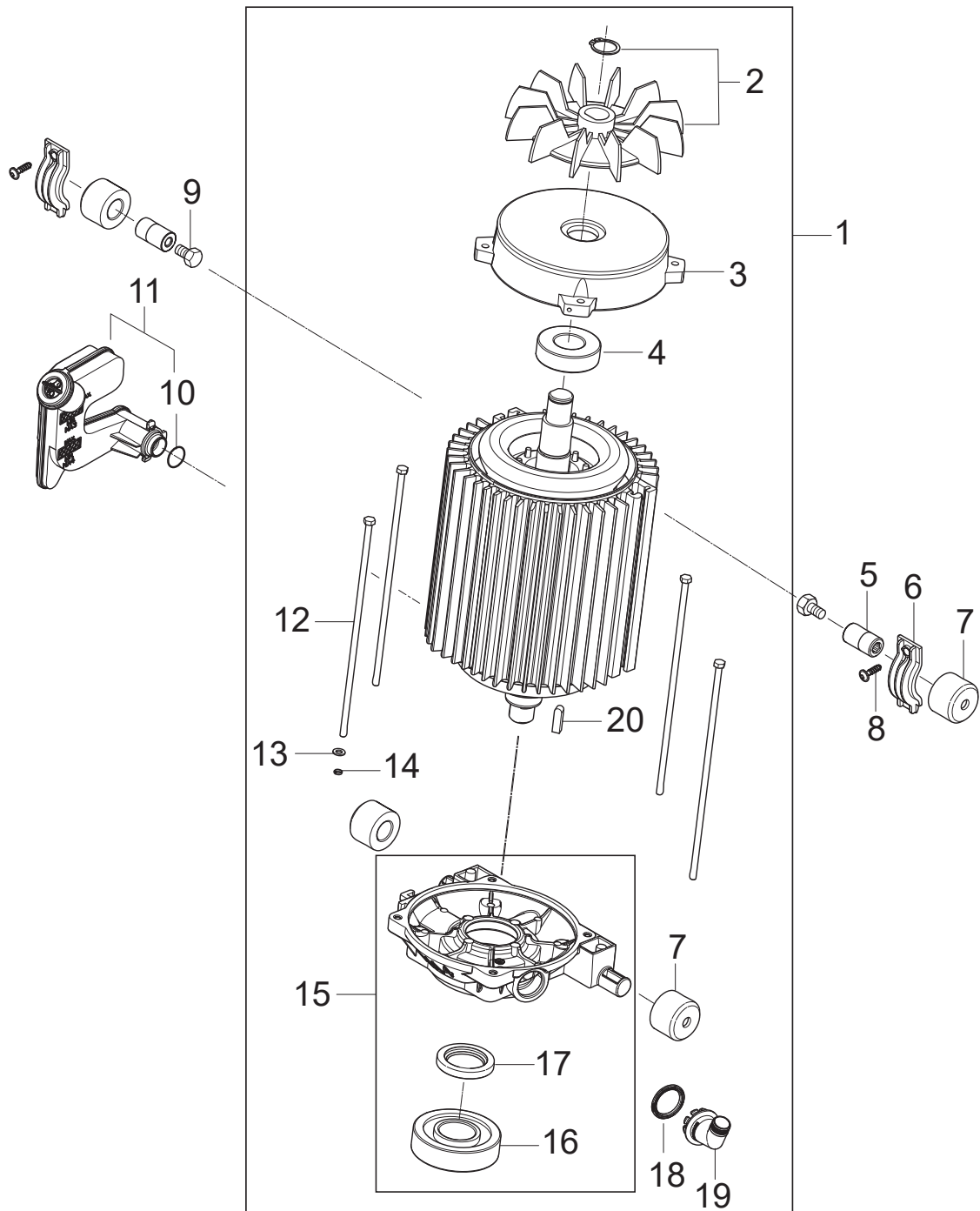




Pos.	Artikel-Nr.	Menge	Variante	Notes
			MI - 106409224 Hose guide MC 3C MC 4M	[1]
			MI - 106409225 Hose reel MC 3C MC 4M	[2]
0	107145803	1	Schlauchtrommel Set für M	
1	107142530	1	ROTATING HANDLE F. HOSE REEL	
2	107142532	1	HANDLE FOR HOSE REEL MC 3-4	
3	107142533	1	STOPPER PIN CPL. F. HOSE REEL MC 3-4	
4	107142535	1	ADAPTOR FOR HOSE REEL RIGHT MC 3-4	
5	107142536	1	HOSE REEL MC 3-4	
6	107142537	1	HOSE COVER MC 3-4	
7	107142538	1	FITTING GUIDE F. HOSE REEL MC 3-4	
8	107142539	1	HOSE GUIDE MC 3-4	
9	128500592	1	LOCK KIT	
10	107141838	5	SCHRAUBE K50X18 WN1451 SCHWARZ TORX 20	
11	107142540	1	ADAPTOR FOR HOSE REEL LEFT MC 3-4	
12	909100425	2	1x Schraube M6X12	
13	107142541	1	CONNECTION HOSE DN8 F. HOSE REEL MC 3-4	
14	65466	1	Dichtring 8,0x15,0x1,0 DI	
15	3004321	2	O-Ring 10,0 x 2,0 PUR90	
16	G200117	1	BACK-UP RING Ø10.7XØ14X1 PTFE 2 PCS	[3]
17	107142542	1	HP-HOSE DN6X15M MC 3-4	

## Part Notes:

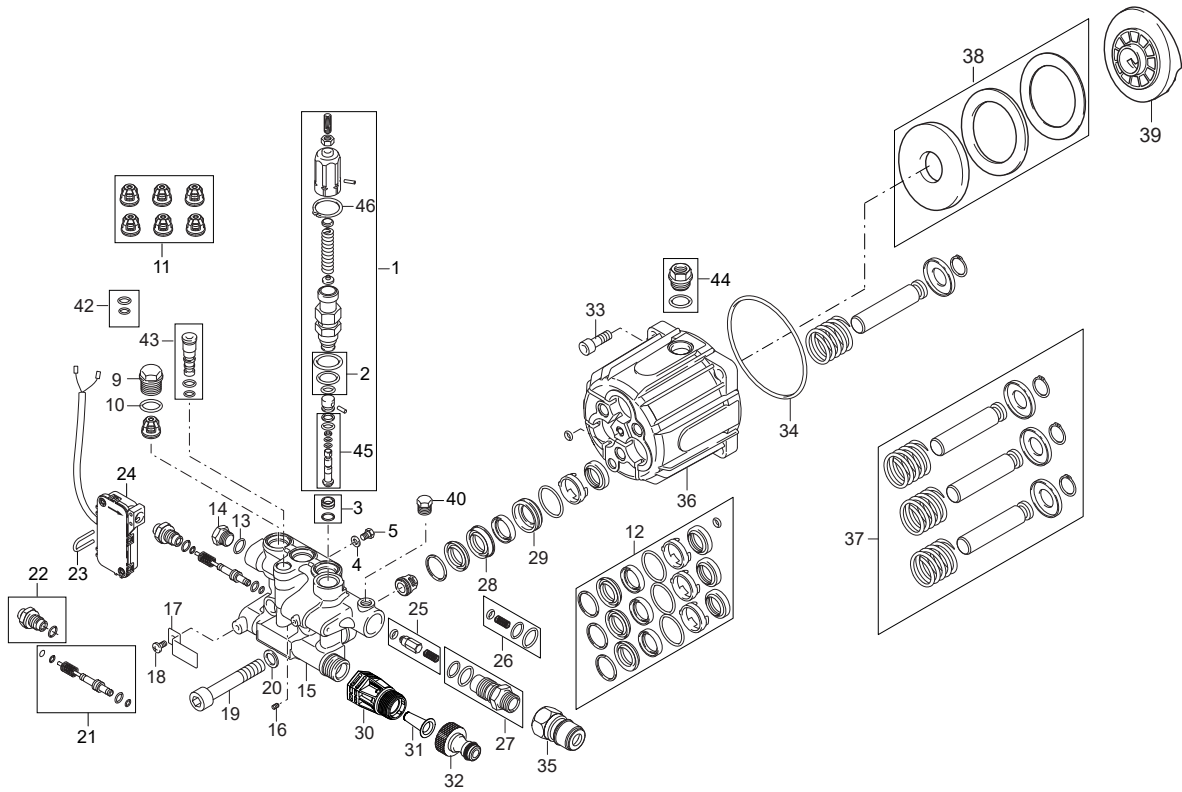
- [1] - MI - 106409224 Hose guide MC 3C MC 4M
- [2] - MI - 106409225 Hose reel MC 3C MC 4M
- [3] - CLOSED WHEN STOCK EMPTY



Pos.	Artikel-Nr.	Menge	Variante	Notes
0	31001082	1	OIL ROTRA MP 80W-90 1L	[1]
1	31001006	1	MOTOR NA4 - 2.2KW/230V/50HZ/1PH	[2]
1	31001007	1	MOTOR NA4 - 2.2KW/220V/60HZ/1PH	[3]
1	31001008	1	MOTOR NA4 - 3.2KW/230/400V/50HZ/3PH	[4]
1	31001009	1	MOTOR NA4 - 3.5KW/200V/50HZ/3PH	[5]
1	31001010	1	MOTOR NA4 - 2.8KW/230/400V/50HZ/3PH	[6]
2	107145038	1	FAN INCL. SEAL V-RING	
3	107145037	1	N-BEARING COVER	
4	301003080	1	Lager 6205 ZZ	
5	107142544	2	NUT M8 X D17 X L31 INT. HEX 8	
6	301002296	2	Halter	
7	107142545	4	SUSPENSION D35 X D17 X L25	
8	107141838	2	SCHRAUBE K50X18 WN1451 SCHWARZ TORX 20	
9	2753	2	Sechskantschraube M8x 20 ISO 4017 zn	
10	107142589	1	SEAL ID 16.7XOD 21.2XW 5 NBR 70 SHORE A	
11	107142546	1	OIL CONTAINER MC 3-4	[7]
12	31000916	4	STAY BOLT M5X210	
12	31000917	4	STAY BOLT M5X230	[8]
13	31000918	4	WASHER D5.5XD10 GB/T97.1 ISO7089	
14	31000919	4	LOCK RING D5.1XD7.7 GB/T93 DIN127	
15	31000920	1	D-BEARING COVER P4 INCL SEAL AND BEARING	
16	31001028	1	BEARING 7306	
17	301003078	1	Wellendichtring	
18	31000921	1	SEAL ID 23.4XOD 31 D 2/3.5	
19	31000922	1	CABLE GLAND 23.5 SNAPON 110 DEG	
20	101814798	1	Passfeder	

## Part Notes:

- [1] - TSB-PPW-2016-016 MC 3C MC 4M MH 3M Pump oil no stock  
0,39L - OIL TYPES\_QUANTITY for HPW\_APRIL 2017
- [2] - MC 4M-160/620 230/1/50/16 XT - MC 4M-140/620 230/1/50/13 EU - MC 4M-140/620 230/1/50/13 UK - MC 4M-160/620 230/1/50/16 EU - MC 4M-100/770 230/1/50/13 UK
- [3] - MC 4M-150/620 220/1/60/15 (XT)
- [4] - MC 4M-180/740 400/3/50 - MC 4M-180/740 XT 400/3/50 - MC 4M-180/740 230-400/3/50 XT NO - MC 4M-180/740 220-440/3/60
- [5] - MC 4M-160/720 200/3/50 JP  
MC 4M-160/720 200/3/60 JP
- [6] - MC 4M-160/720 400/3/50
- [7] - TSB-PPW-2015-007 MC 3C MC 4M, Oil Container leaking oil at O-ring seal  
DE TSB-PPW-2015-007 MC 3C und MC 4M, Öl Behälter Leckage bei dem O-Ring
- [8] - Only for MC 4M-180/740



Pos.	Artikel-Nr.	Menge	Variante	Notes
1	31000978	1	REGULATION SAFETY BLOCK	
2	301003032	1	Dichtungssatz	
3	301003033	1	Ventilsitzring	
4	31000944	1	WASHER	
5	301003035	1	Verschlussschraube	
9	301003039	1	Verschlussschraube	
10	301003040	1	O-Ring 15,6X1,78	
11	31000576	1	VALVE KIT 6 PCS	
12	301003042	3	Dichtungssatz Kolben	[1]
13	301003043	1	O-Ring 10,82X1,78 820510	
14	301003044	1	Verschlussschraube	
15	301003045	1	Ventilblock	
16	301003046	1	Verschlussschraube	
17	301003047	1	Halter	
18	301003048	1	Schraube	
19	301003049	1	SCREW M12X70 UNI 5931	
20	301003050	1	Zahnscheibe Ø12	
21	31001329	1	PISTON KIT FOR MICROSWITCH	
22	31000940	1	FITTING KIT FOR MICROSWITCH	
23	301003053	1	Bügel	
24	107142680	1	SWITCHBOX ASSEMBLY	
25	31000988	1	INJECTOR	
26	31000989	1	O-RING KIT FOR INJECTOR	
27	31000990	1	INJECTOR KIT	
28	301001559	1	Buchse	
29	301003059	1	Kolbenführung	
30	107142566	1	WASSEREINLASSSCHLAUCH	
31	101117926	1	Sieb	
32	1402809	1	Schlauchstutzen/Nippel	
33	301003063	1	Schraube 5x25	
34	31000973	1	O-RING D 94.92x2.62	
35	1600493	1	Anschlussstück	
36	31000972	1	PUMP BODY	
37	31000992	3	PISTON KIT D18	
38	31000993	1	BEARING KIT 1MM	[2]
38	31000994	1	BEARING KIT 2MM	[3]
39	31000975	1	WOBBLE DISC 12.5 DEG	[4]
39	31000976	1	WOBBLE DISC 12.5 DEG	[5]
39	31000977	1	WOBBLE DISC 10.5 DEG	[6]
39	301003137	1	Taumelscheibe 11°	[7]
39	301003139	1	Taumelscheibe 13°	[8]
40	31000966	1	PLUG	
42	301003160	2	O-RING Satz	
43	301003073	1	Verschlussschraube	
44	31001000	1	PLUG KIT FOR PUMP BODY	
45	31001099	1	REPAIR KIT UNLOADER	
46	101117994	1	RETAINER RING Ø23 DIN 471	

## Part Notes:

- [1] - TSB-PPW-2019-001 MC 4M MH 3M SC UNO 4M Pump oil leakage  
DE TSB-PPW-2019-001 MC 4M MH 3M SC UNO 4M Pumpenölverlust  
TSB-PPW-2019-001 Fuite d'huile pompe NA4
- [2] - MC 4M-160/720 400/3/50 - MC 4M-160/720 200/3/50 JP - MC 4M-160/720 200/3/60 JP
- [3] - MC 4M-180/740 400/3/50 - MC 4M-180/740 XT 400/3/50 - MC 4M-180/740 230-400/3/50 XT NO - MC 4M-180/740 220-440/3/60
- [4] - MC 4M-160/720 400/3/50
- [5] - MC 4M-180/740 400/3/50 - MC 4M-180/740 XT 400/3/50 - MC 4M-180/740 230-400/3/50 XT NO
- [6] - MC 4M-180/740 220-440/3/60
- [7] - MC 4M-160/720 200/3/60 JP

[8] - MC 4M-160/720 200/3/50 JP



Pos.	Artikel-Nr.	Menge	Variante	Notes
A	301003042		Dichtungssatz Kolben	
A	301001559		Buchse	
A	301003059		Kolbenführung	
A	31000978		REGULATION SAFETY BLOCK	
A	301003032		Dichtungssatz	
A	301003033		Ventilsitzring	
A	31001328		EASY START KIT	
A	301003037		Dichtungssatz	
A	31000983		SEAT EASY START KIT	
A	301003040		O-Ring 15,6X1,78	
A	31000576		VALVE KIT 6 PCS	
A	31000988		INJECTOR	
A	31000989		O-RING KIT FOR INJECTOR	
A	101117926		Sieb	
A	31001000		PLUG KIT FOR PUMP BODY	
A	65466		Dichtring 8,0x15,0x1,0 DI	
A	3004321		O-Ring 10,0 x 2,0 PUR90	
A	107142541		CONNECTION HOSE DN8 F. HOSE REEL MC 3-4	
A	107142542		HP-HOSE DN6X15M MC 3-4	
A	107142548		FUSE 16 AMPS TYPE 2-5700-IG2-P10-DD-16A	
A	301002322		Sicherung 16 A	
A	301003078		Wellendichtring	
B	107142680		SWITCHBOX ASSEMBLY	
B	31001329		PISTON KIT FOR MICROSWITCH	
B	31000940		FITTING KIT FOR MICROSWITCH	
C	31000973		O-RING D 94.92x2.62	
C	31000992		PISTON KIT D18	
C	301003139		Taumelscheibe 13°	
C	31000993		BEARING KIT 1MM	
C	31000994		BEARING KIT 2MM	
C	31000975		WOBBLE DISC 12.5 DEG	
C	31000976		WOBBLE DISC 12.5 DEG	
C	31000977		WOBBLE DISC 10.5 DEG	
C	301003138		Taumelscheibe 11°30'	
C	103822300		Schütz CJX2-D12-V7 400V	
C	63905		Schütz 3x200/230 V	
C	103822303		Schütz CJX2-D18 18A 400V 3P+NO	
C	301001058		Schalter	
C	107141856		CAPACITOR 70uF 450V	
C	301003079		Kugellager DIN628-7305B	
C	31000974		WOBBLE DISC 9 DEG	





Pos.	Artikel-Nr.	Menge	Variante	Notes
1	106403122	1	ERGO 2000 STANDARD W. HOSE SWIVEL	[1]
	106404529	1	GARDENA COUPLING MALE 3/4	
2	107142542	1	HP-HOSE DN6X15M MC 3-4	[2]
2	301002275	1	HD-Schlauch DN6x10m 3/8	[3]
3	106403035	1	UNIVERSAL PLUS LANCE 1090	[4]
3	107142577	1	HP-NOZZLE 1/8-27NPT MEG 25035	[5]
3	107142578	1	HP-NOZZLE 1/8-27NPT MEG 25040	[6]
3	106402282	1	FLEXOPOWER PLUS 960	[7]
3	106403011	1	TORNADO PLUS 1000 gebogen	[8]
3	106408250	1	4-IN-1 LANCE INCL 0340 ALUMINUM HEAD	[9]
3	106408251	1	4 in 1 Lanze 0350	[10]
3	106408252	1	Universal Plus Strahlrohr mit 4-in-1 Düs	[11]
3	106408261	1	4-IN-1 LANCE INCL 0370 ALU HEAD W/O LOGO	[12]
4	101119735	1	HD-Düse 0340 TORNADO	[13]
4	101119736	1	HD-Düse 0350 TORNADO	[14]
4	101119737	1	HD-Düse 0370 TORNADO	[15]
4	101119738	1	Düse NT0400	[16]
4	101119742	1	HD-Düse 0530 TORNADO	[17]
5	107145800	1	Schlauchführung für MC 3-	[18]
5	107145802	1	WASSERFILTER KOMPLETT	[19]
5	107145803	1	Schlauchtrommel Set für M	[20]
6	106408234	1	NILFISK-ALTO Schaumspüher	[21]
6	106408235	1	NILFISK-ALTO Schaumspüher	[21]
6	106408236	1	NILFISK-ALTO FOAMSPRAYER VARIO HF 0950	[21]
7	107142570	1	MANOMETER MC 4	[22]
8	107142571	1	Wassermengenregulierung M	
8	107142572	1	WATER REGULATION CPL. GERNI	[23]

## Part Notes:

- [1] - ERGO 2000 Spray handle
- [2] - X-TRA (with hose reel)
- [3] - Without hose reel
- [4] - MC 4M 140/620, MC 4M 160/720  
UNIVERSAL PLUS lance
- [5] - MC 4M-140/620 230/1/50/13
- [6] - PRUNED-NO REPLACEMENT  
MC 4M-160/720 400/3/50
- [7] - MC 4M 100/770, MC 4M 140/620, MC 4M MC 150/620, MC 4M MC 160/620, MC 4M MC 160/720, MC 4M MC 180/740  
FLEXOPOWER PLUS lance
- [8] - TORNADO PLUS lance
- [9] - MC 4M 150/620 X-tra, MC 4M 160/620 X-tra  
4 in1 Nozzle
- [10] - MC 4M 140/620 X-tra  
4 in1 Nozzle
- [11] - MC 4M 180/740 X-tra  
4 in1 Nozzle
- [12] - 2020 ACCESSORY PRUNING
- [13] - MC 4M 150/620, MC 4M 160/620  
  
MC 4M 150/620 X-tra, MC 4M 160/620 X-tra
- [14] - MC 4M 140/620 X-tra
- [15] - MC 4M 180/740, MC 4M 180/740 X-tra
- [16] - MC 4M 160/720
- [17] - MC 4M 100/770
- [18] - PRUNED-NO REPLACEMENT  
Hose reel
- [19] - Water filter 2015
- [20] - Hose reel
- [21] - Foam sprayer 2015
- [22] - MI - 106409226 MC 4M Manometer
- [23] - PRUNED-NO REPLACEMENT

