

PARTS LIST

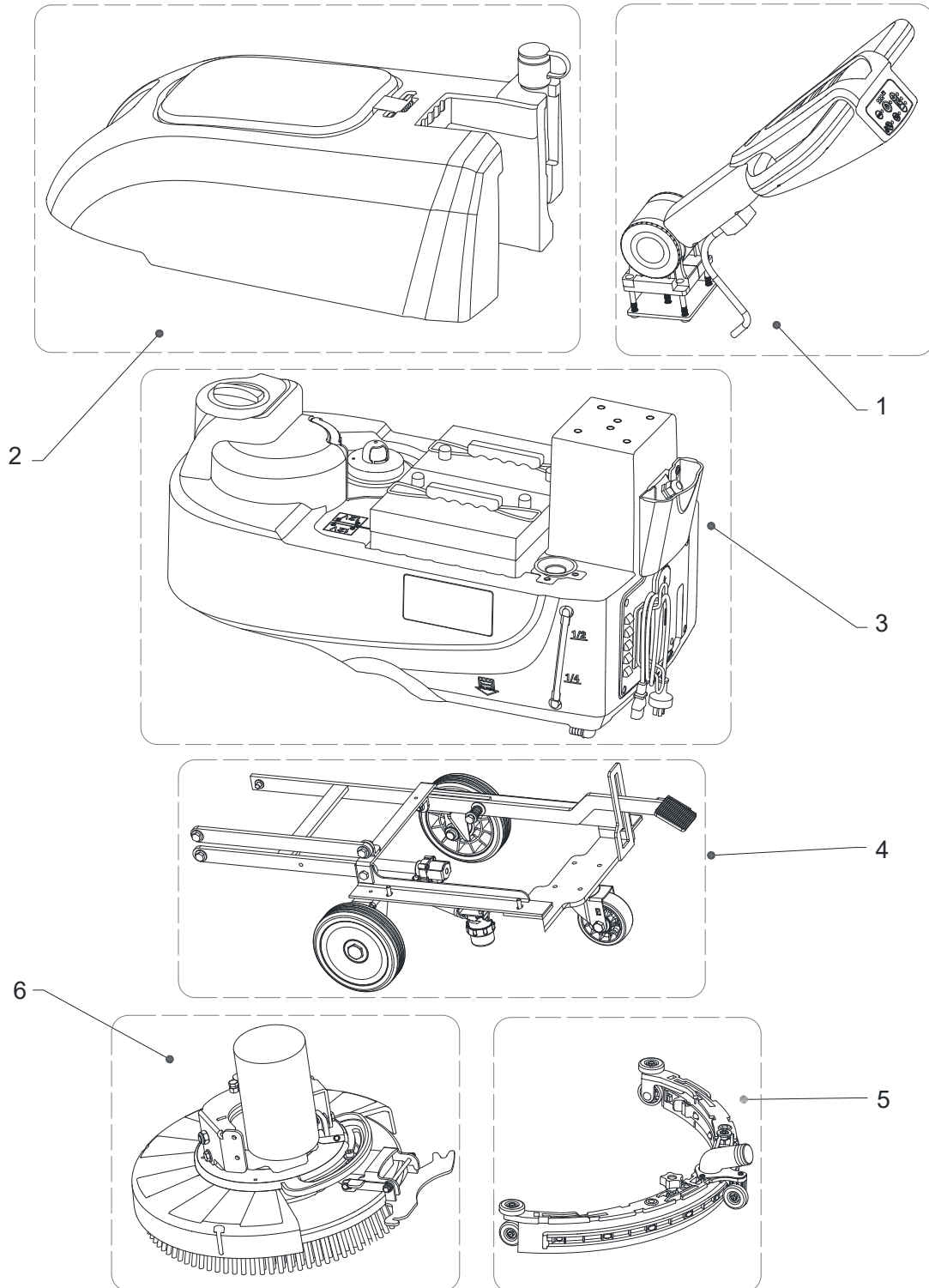


2023.08.27

NILFISK

TABLE OF CONTENTS

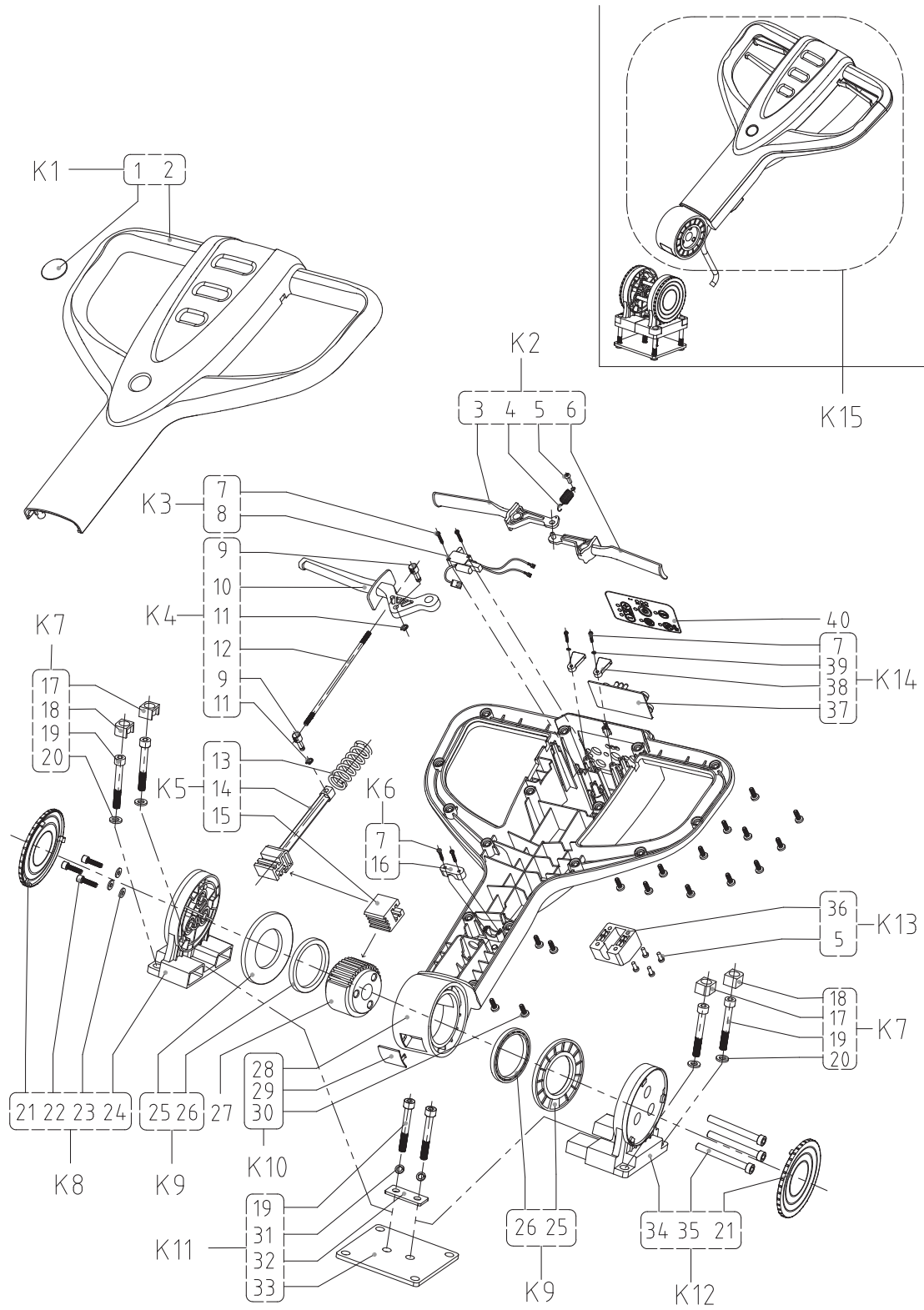
General view	1
Handle with mounting base	3
Recovery tank	5
Solution tank	7
Chassis	10
Squeegee	12
Brush	14
Wear and Tear Parts	17
Wiring diagram	19



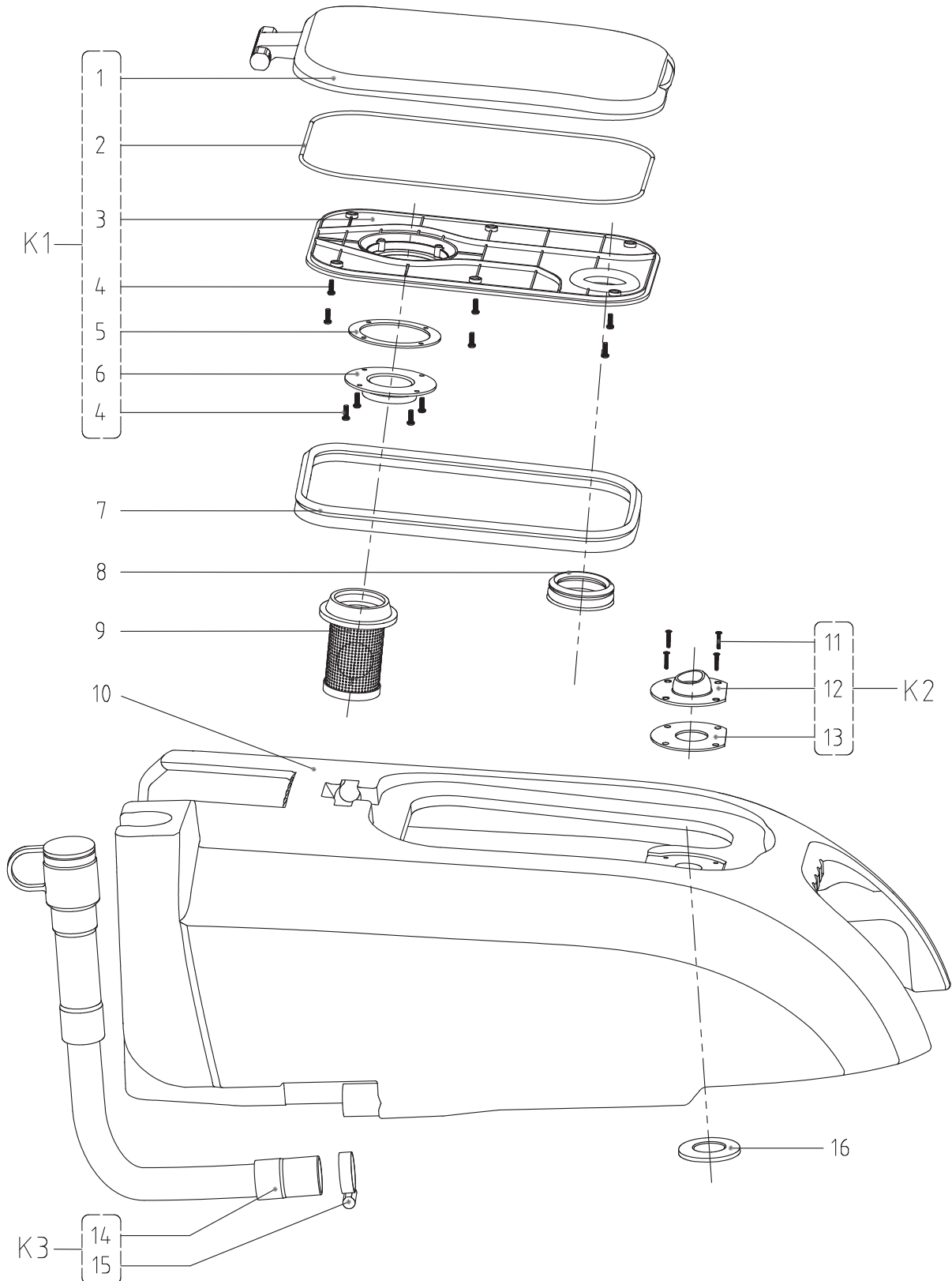
Pos.	Artikel-Nr.	Menge	Variante	Notes
1		1	HANDLE WITH MOUNTING BASE ASSEMBLY	[1]
2		1	RECOVERY TANK ASSEMBLY	[2]
3		1	SOLUTION TANK ASSEMBLY	[3]
4		1	CHASSIS ASSEMBLY	[4]
5		1	SQUEEGEE ASSEMBLY	[5]
6		1	BRUSH ASSEMBLY	[6]

Part Notes:

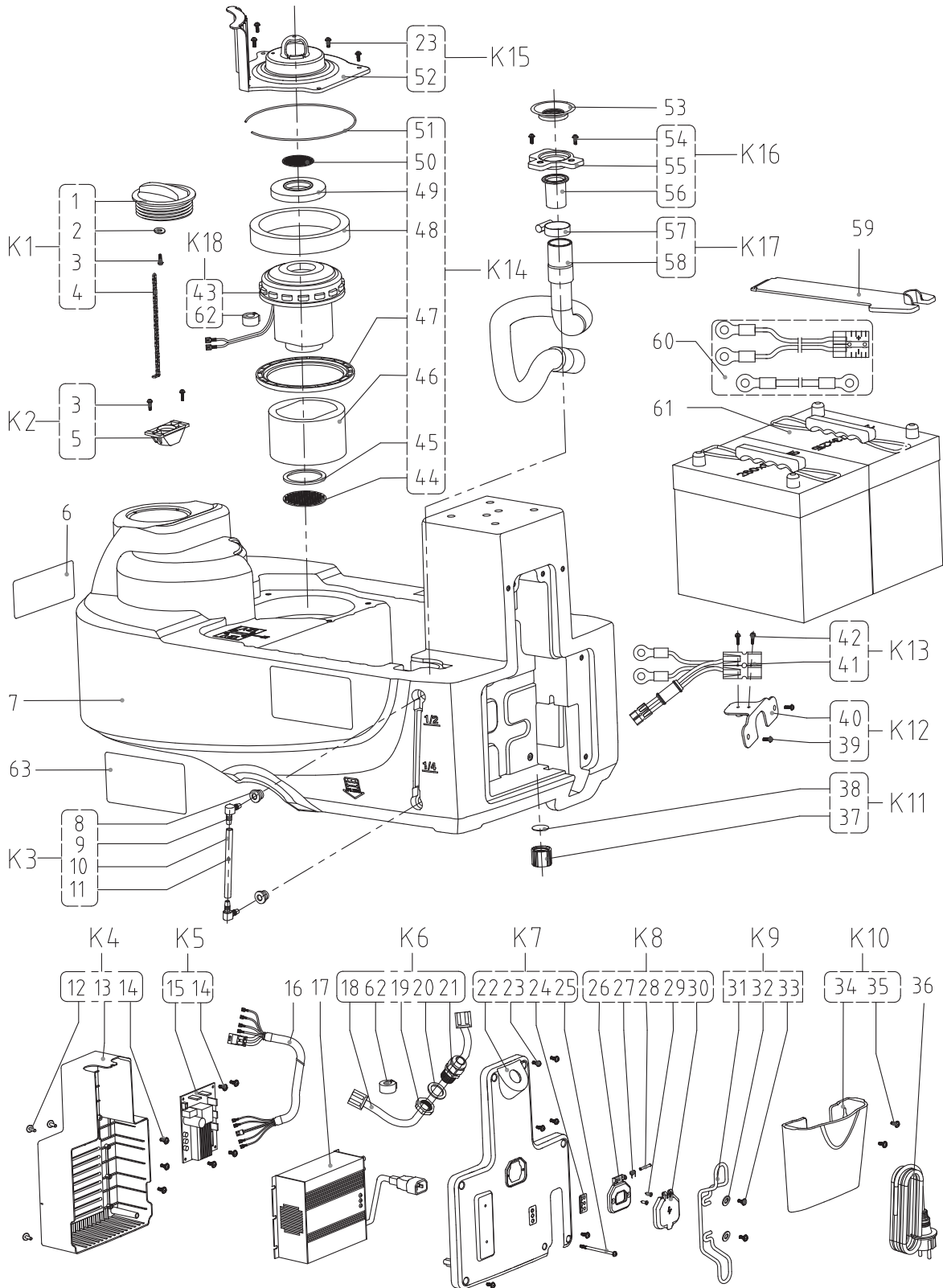
- [1] - Handle with mounting base
- [2] - Recovery tank
- [3] - Solution tank
- [4] - Chassis
- [5] - Squeegee
- [6] - Brush



Pos.	Artikel-Nr.	Menge	Variante	Notes
1		1	STICKER DROP GLUE	
2		1	FRONT COVER HANDLE	
3		1	RIGHT LEVER BRUSH SWITCH	
4		1	SPRING	
5	VF13544	5	SCREW ST4x10	
6		1	LEFT LEVER BRUSH SWITCH	
7		6	SCREW ST3X16MM	
8		1	MICRO SWITCH	
9		2	FIXING END OF PULLING ROD	
10	VS15133	1	ADJUST LEVER HANDLE	
11		2	LOCKWASHER	
12		1	PULLING ROD	
13		1	SPRING COMPRESSION	
14	VS15135	1	CONNECTION ROD	
15	VS15193	1	RACK	
16		1	CLAMP	
17		2	RUBBER SLEEVE SCREW ROD EDGE	
18		2	RUBBER SLEEVE SCREW ROD	
19		6	SCREW ROD M8	
20		4	WASHER OD15.7XID8.5XT1.5MM	
21	VS15142	2	DECORATION COVER HANDLE	
22		3	SCREW M5X20MM	
23		3	WASHER ID5XOD12XT1MM	
24	VS15144	1	RIGHT FIXING BASE HANDLE	
25		2	ANTI ABRATION CIRCLE	
26		2	INNER FIXING CIRCLE OF GEAR	
27	VS15192	1	GEAR	
28	VS15136	1	REAR COVER HANDLE	
29	VS15141	1	SEALING COVER HANDLE	
30		16	SCREW PB5X14MM	
31		2	WASHER Ø8MM	
32		1	CONNECTION PLATE OF FIXING BASE	
33		1	FIXING PLATE OF FIXING BASE	
34	VS15143	1	LEFT FIXING BASE HANDLE	
35		3	FIXING SCREW ROD OF GEAR	
36		1	CABLE FIXING BRACKET	
37	VS15025	1	DASH BOARD 24V AGM	
38		2	PCB FIXING PLATE	
39		2	WASHER	
40	VS15216	1	DECAL CONTROL PANEL BATTERY VERSION	
K1	VS15383	1	FRONT COVER HANDLE KIT	
K2	55942448	1	LEVER BRUSH SWITCH KIT	
K3	VV81063	1	MICRO SWITCH - ROLLER BRUSH AND PUMP KIT	
K4	VS15385	1	ADJUST LEVER HANDLE KIT	
K5	VS15386	1	CONNECTION ROD KIT	
K6	VA21517A	1	Klammer inkl. Schraube	
K7	VS15387	2	RUBBER SLEEVE SCREW ROD KIT	
K8	VS15388	1	RIGHT FIXING BASE KIT	
K9	VS15389	2	INNER FIXING CIRCLE OF GEAR KIT	
K10	VS15390	1	REAR COVER HANDLE KIT	
K11	VS15391	1	FIXING PLATE OF FIXING BASE KIT	
K12	VS15392	1	LEFT FIXING BASE KIT	
K13	VS15393	1	CABLE FIXING BRACKET KIT	
K14	VS15394	1	HANDLE PCB KIT	
K15	55942503	1	HANDLE ASSEMBLY	

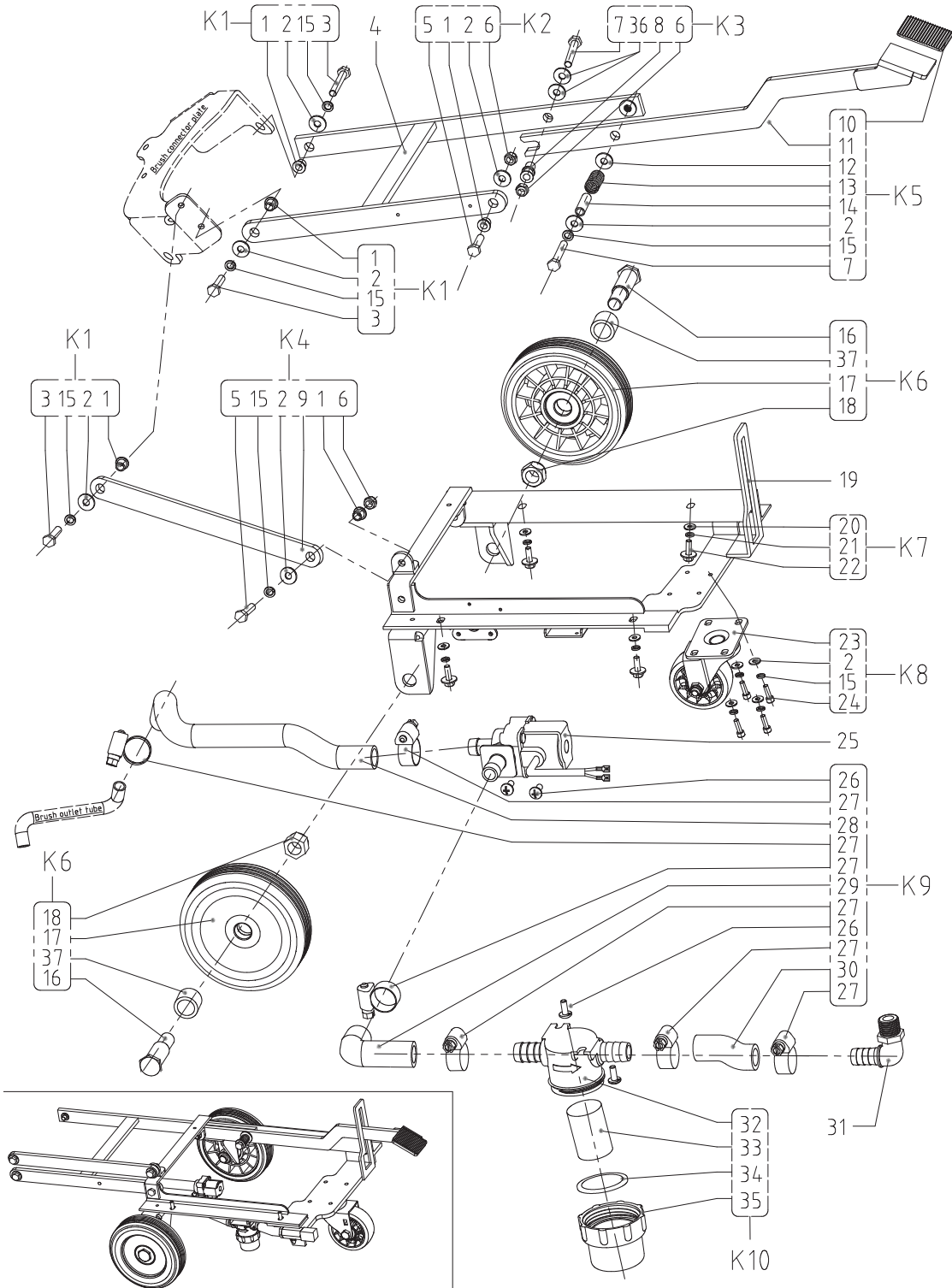


Pos.	Artikel-Nr.	Menge	Variante	Notes
1		1	RECOVERY TANK LID	
2		1	INNER GASKET OF RECOVERY TANK LID	
3		1	RECOVERY TANK LOWER LID	
4		10	SCREW ST4X12MM	
5		1	RUBBER GASKET OF ADAPTOR	
6		1	FLOAT CUP ADAPTOR	
7	55942443	1	GASKET OF RECOVERY TANK LID	
8	VS15226	1	SUCTION PORT ROUND GASKET	
9	VS15323	1	VACUUM GRID WITH AUTO SHUT-OFF FLOAT	
10	55942472	1	RECOVERY TANK 25L	
11		4	SCREW M4X12MM	
12		1	SUCTION PORT	
13		1	SUCTION PORT GASKET	
14		1	DRAIN HOSE	
15	VS15271	1	CLAMP 21-38MM SUS304	
16	VS15320	1	HIGH ELASTIC GASKET	
K1	55942446	1	RECOVERY TANK LID ASSEMBLY	
K2	VS15399	1	SUCTION PORT KIT	
K3	VS15400	1	DRAIN HOSE KIT	

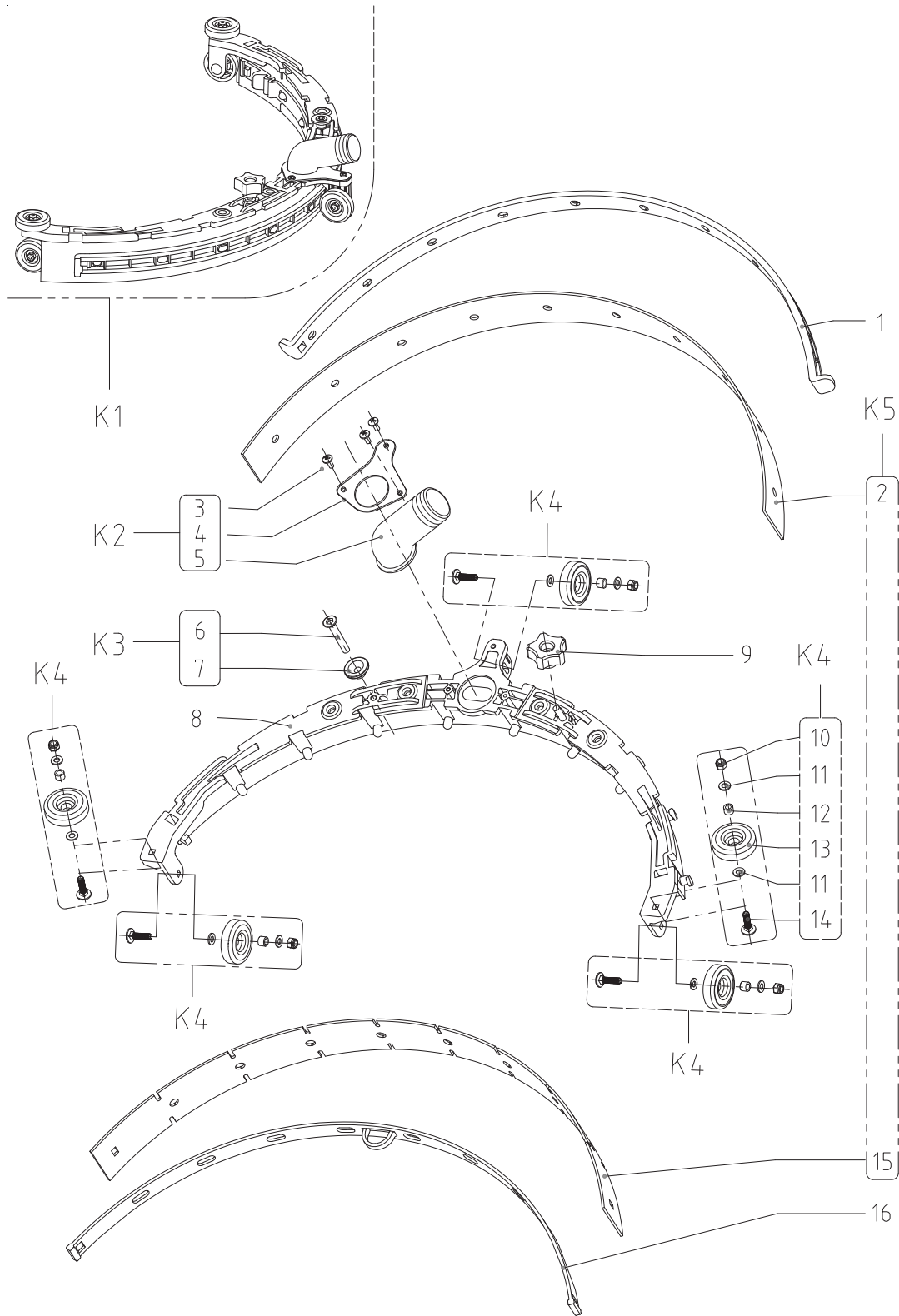


Pos.	Artikel-Nr.	Menge	Variante	Notes
1	55942469	1	SOLUTION COVER	
2		1	WASHER4X12X1MM	
3		3	SCREW TA3.5X12MM	
4		1	ZIPPER	
5		1	INLET PIPE FRAME	
6a	55942482	1	NILFISK LOGO LABEL	
6b	55942500	1	ADVANCE LOGO LABEL	
7	55942473	1	SOLUTION TANK 25L	
8		2	JOINTS GASKET	
9		2	ELBOW, 90°	
10		1	HOSE FRESH WATER LEVEL	
11		1	FLOATING BALL OF WATER LEVEL	
12		3	SCREW PB4.0X12MM	
13		1	MOUNTING BASE OF CHARGER	
14		9	SCREW PB4.0X10MM	
15	VS15026	1	CONTROLLER MAIN MACHINE	
16	VS15012	1	DC MAIN WIRE HARNESS	
17	VS15018	1	CHARGER 10A	
18		1	COMMUNICATION CABLE	
19		1	CABLE STRAIN RELIEF NUT	
20		1	GASKET	
21		1	CABLE STRAIN RELIEF	
22		1	CHARGE REAR COVER	
23		10	SCREW PWM4.0X12mm	
24	VS15459	1	CHARGING DISPLAY LABEL	
25		1	SCREW M4X70MM	
26		1	CHARGER SOCKET FIX	
27		1	SPRING	
28		1	PIN	
29		2	SCREW ST4.0X16MM	
30		1	CHARGER SOCKET COVER	
31		1	CABLE SUPPORT	
32		2	WASHER ID4.0XOD12X1MM	
33		2	SCREW ST4.0X16MM	
34		1	BACK ACCESSORY BOX	
35		2	SCREW WITH WASHER	
36a	VF89725	1	LADEGERÄT NETZKABEL EU-STECKER	
36b	VF89726	1	CHARGER POWER CABLE UK PLUG	
36c	VF89724	1	CHARGING CABLE FOR US 300V 16AWG	
37		1	SOLUTION OUTLET COVER	
38		1	GASKET	
39		2	SCREW M4.0X12MM	
40		1	BRACKET CHARGER PLUG	
41		1	HARNESS 24V INPUT	
42		2	SCREW ST3X16MM	
43	VS15003	1	Motor 24V 350W	
44		1	INTLET AIR FILTER GRIM	
45		1	INTLET AIR GASKET	
46		1	BOTTOM ACOUSTIC INSULATION PIPE	
47		1	MIDDLE GASKET	
48		1	UP ACOUSTIC INSULATION PIPE	
49		1	TOP GASKET MOTOR	
50		1	UP INLET AIR FILTER FRIM	
51		1	EVA GASKET	
52		1	VACUUM MOTOR COVER	
53	VS15240	1	DRAIN HOSE HORN GASKET	
54		2	SCREW M4.0X12MM	
55		1	BRACKET SUCTION HOSE	
56		1	CONNECTOR SOCKET SUCTION HOSE	

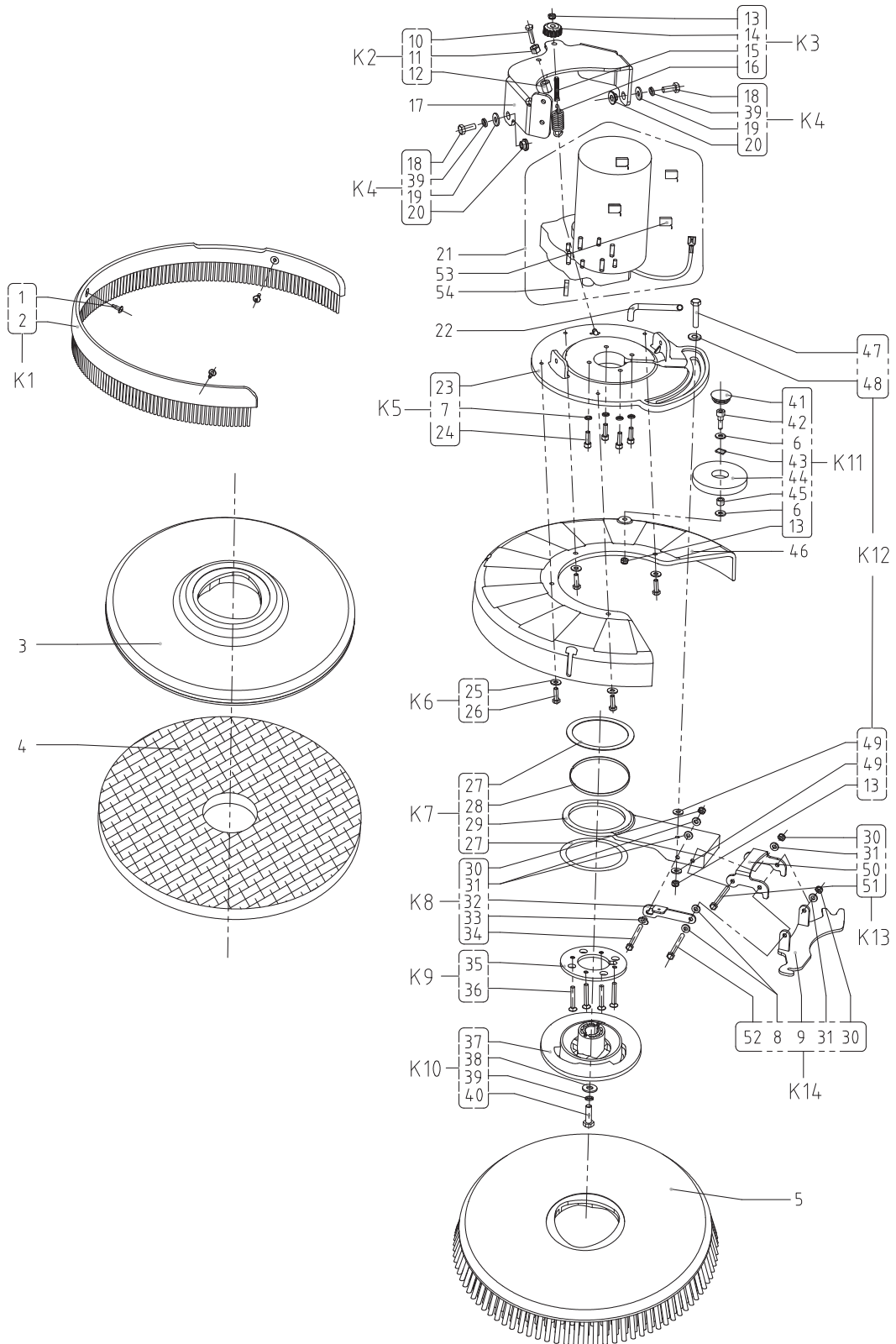
Pos.	Artikel-Nr.	Menge	Variante	Notes
57	VS15271	1	CLAMP 21-38MM SUS304	
58		1	SUCTION HOSE	
59	VS15248	1	CABLE COVER PLATE	
60	VS15009	1	Batterie-Verbindungen	
61		2	BATTERIES	
62		2	EMIFIL	
63a	55942483	1	DECAL NILFISK SC370 43B EU	
63b	55942501	1	DECAL ADVANCE SC370 17B US	
K1	55942447	1	SOLUTION COVER KIT	
K2	VS15402	1	INLET PIPE FRAME KIT	
K3	55942433	1	HOSE FRESH WATER LEVEL KIT	
K4	VS15404	1	MOUNTING BASE OF CHARGER KIT	
K5	VS15405	1	CONTROLLER MAIN MACHINE KIT	
K6	VS15406	1	MAIN CONNECTION CABLE KIT	
K7	VS15407	1	CHARGE REAR COVER KIT	
K8	VS10126	1	CHARGER SOKET KIT	
K9	VS15408	1	CABLE SUPPORT KIT	
K10*	VS15409	1	BACK ACCESSORY BOX KIT	
K11	VF89110A	1	KIT DRAIN WATER	
K12	VS15410	1	BRACKET CHARGER PLUG KIT	
K13	VS15411	1	Kabelbaum 24V Eingangset	
K14	VS15412	1	GASKET VACUUM MOTOR KIT	
K15	VS15413	1	VACUUM MOTOR COVER KIT	
K16	VS15414	1	BRACKET SUCTION HOSE KIT	
K17	VS15415	1	SUCTION HOSE KIT	
K18	VS15381	1	VACUUM MOTOR 24V KIT	



Pos.	Artikel-Nr.	Menge	Variante	Notes
1		5	BUSHING	
2		10	WASHER	
3		3	SCREW M8X25MM	
4	VS15101	1	BRUSH LIFTING SUPPORT	
5		2	SCREW M8X30MM	
6		3	NUT M8	
7		2	SCREW M8X50MM	
8		1	STEPS BUSHING	
9	VS15102	1	FRONT PEDAL BRUSH LIFTING	
10	VS10613	1	PEDAL LEVER GASKET	
11	VS15103	1	BACK PEDAL BRUSH AND SQUEEGEE LIFTING	
12		1	WASHER Ø12X Ø24X2MM	
13		1	RESET SPRING	
14		1	BUSHING	
15		9	WASHER DIAMETER 8MM	
16		2	WHEEL SHAFT	
17	VS15430	2	WHEEL 6 INCH	
18		2	NUT M16	
19	VS15100	1	CHASSIS	
20		4	SPRING WASHER	
21		4	WASHER DIAMETER 6MM	
22		4	SCREW M6X20MM	
23	VS15327	1	3.5 INCH CASTER	
24		4	SCREW M8x20MM	
25	VS15021	1	24V DC SOLENOID VALVE KIT	
26		4	SCREW M4X10MM	
27	VV10114	6	Klammer	
28		1	HOSE Ø 20MM L400mm	
29		1	HOSE WITH SPRING L130mm	
30		1	OULET HOSE Ø20MM	
31	VF81403P	1	UNION ELBOW	
32		1	FILTER BASE	
33	VF90608	1	FILTER NET	
34	VF90607	1	O-RING	
35	VF90603	1	FILTER COVER	
36		2	PA WASHER	
37		2	BUSHING1	
K1	VS15422	3	SCREW KIT 1	
K2	VS15423	1	SCREW KIT 2	
K3	VS15424	1	FORNT PEDAL BRUSH LIFTING SCREW KIT	
K4	VS15425	1	SCREW KIT 3	
K5	VS15426	1	BACK PEDAL BRUSH LIFTING KIT	
K6	VS15427	2	WHEEL 6 INCH KIT	
K7	VS15428	1	SCREW KIT 4	
K8	VS15429	1	3.5 INCH CASTER KIT	
K9	VS15433	1	SOLUTION HOSE KIT	
K10	VF90621	1	WASSERFILTER	



Pos.	Artikel-Nr.	Menge	Variante	Notes
1	55942474	1	STRAP REAR	
2a		1	BLADE SQUEEGEE REAR NR	
2b*		1	BLADE SQUEEGEE REAR PU	
3		3	SCREW TM4X12MM	
4		1	RETAINER	
5	VS15160	1	BEND CONNECTOR	
6		1	SCREW 6X25MM	
7		1	STUD	
8	55942484	1	SQUEEGEE TOOL	
9	VS15159	1	SQUEEGEE KNOB	
10		5	NUT M5	
11		10	WASHER OD14.7XID5.5XT1.2MM	
12		5	SPACER	
13	VS15158	5	SQUEEGEE WHEEL	
14		5	SCREW M5X20MM	
15a		1	BLADE SQUEEGEE FRONT NR	
15b*		1	BLADE SQUEEGEE FRONT PU	
16	55942479	1	STRAP FRONT	
K1	55942502	1	SQUEEGEE ASSEMBLY	
K2	55942504	1	BEND CONNECTOR KIT	
K3	55942470	1	STUD KIT	
K4	VS15436	5	SQUEEGEE WHEEL KIT	
K5a	55942487	1	BLADE SQUEEGEE NR KIT	
K5b*	55942488	1	BLADE SQUEEGEE PU KIT	

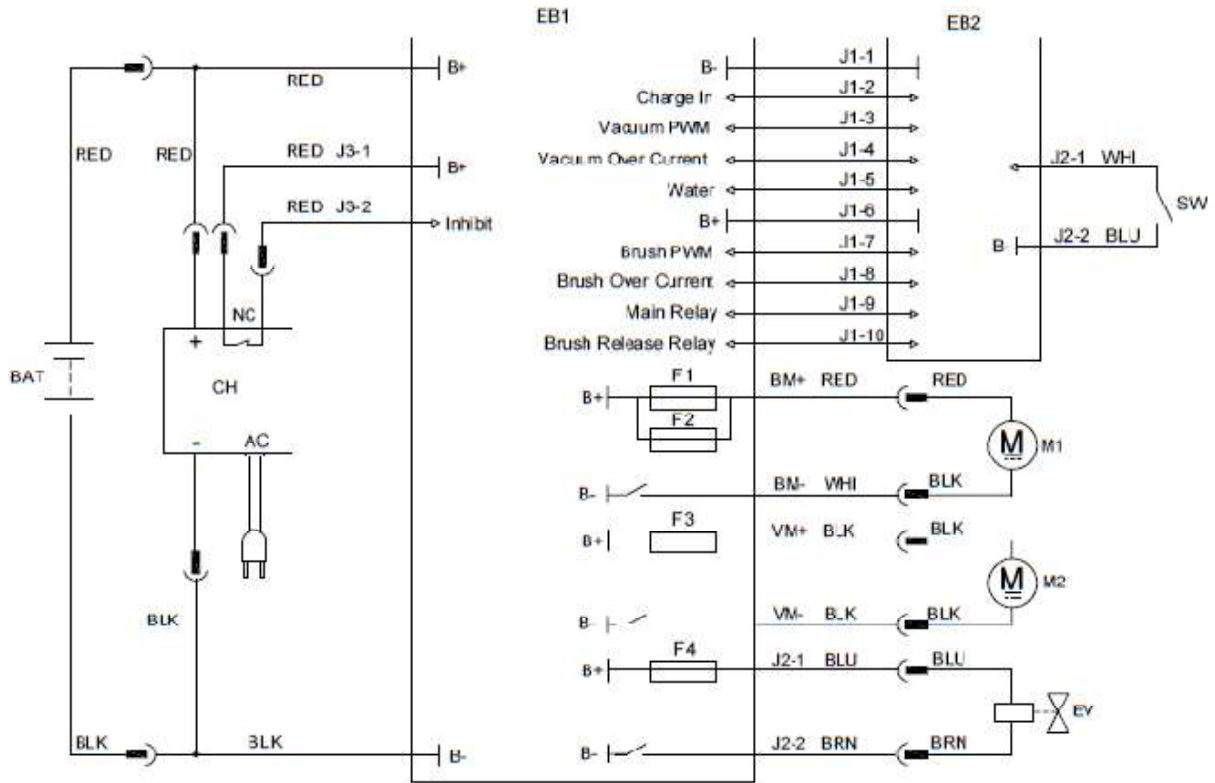


Pos.	Artikel-Nr.	Menge	Variante	Notes
1		3	SCREW M4	
2		1	SKIRT DECK	
3	910000144	1	PAD HOLDER FLAT 17" 432MM	
4*		1	PAD 17 INCH	
5	9097469000	1	Bürste Prolene, hart, Ø 430 mm, 17"	
5*	9097581000	1	Bürste NATURFASER, 430 mm, 17"	
5*	9097580000	1	Bürste Prolite, weich, 432 mm, 17"	
5*	9097578000	1	Bürste Sica Grit 240, weich, 432 mm, 17"	
5*	9097579000	1	Bürste Mid Grit 180, 432 mm, 17"	
6		2	WASHER ID6XOD18XT1.5MM	
7		4	WASHER DIAMETER 6MM	
8		2	WASHER ID6XOD13X2MM	
9	VS15106	1	SQUEEGEE BRACKET	
10		1	SCREW M8X40MM	
11		1	NUT M8	
12	VF80241	1	GASKET	
13		3	NUT M6	
14	VP11007	1	ADJUSTABLE NUT	
15		1	SCREW	
16		1	SPRING	
17	VS15104	1	BRACKET BRUSH MOTOR	
18		2	SCREW M8X25MM	
19		2	WASHER ID8XOD20XT2MM	
20		2	SPACER	
21	VS15032	1	BRUSH MOTOR 24V DC	
22	VS15111	1	INLET TUBE	
23		1	MOTOR FIXING PLATE	
24		4	SCREW M6X20MM	
25		4	WASHER ID6XOD15XT1.5MM	
26		4	SCREW M6X20MM	
27	VS15154	2	WEAR RESISTANT WASHER	
28	VS15329	1	ROTATION CIRCLE	
29	VS15155	1	SQUEEGEE ROTATION ARM	
30		3	NUT M5	
31		4	WASHER ID5XOD10XT1.0MM	
32	VS15112	1	LIFTING HANDLE FOR SQUEEGEE	
33		1	SPACER	
34		1	SCREW Ø6XM5X104MM	
35		1	SQUEEGEE TRAY	
36		4	SCREW M6x16MM	
37	55942444	1	HUB	
38		1	WASHER ID8.4XOD28XT2MM	
39		3	WASHER DIAMETER 8MM	
40		1	SCREW M8x16MM	
41	VF85128	1	BLOCK	
42		1	SCREW M6X25MM	
43		1	LOCKWASHER	
44		1	ROLLER BUMPER	
45		1	SPACER	
46	VS15156	1	BRUSH DECK	
47		1	SCREW M6	
48		1	WASHER	
49		2	WASHER ID6XOD22X1.5MM	
50	VS15105	1	SQUEEGEE CONNECTION FRAME	
51		1	SCREW Ø6XM5X96.5MM	
52		1	SCREW Ø6XM5X114MM	
53	VF89116	4	KOHLEBÜRSTEN-SET	
54	VR14003	1	KEY	
K1	VS15439	1	SKIRT BRISTLE KIT	

Pos.	Artikel-Nr.	Menge	Variante	Notes
K2	VS15442	1	REGULATING FULCRUM KIT	
K3	VS15443	1	STRAIGHT ADJUSTING KNOB KIT	
K4	VS15444	2	SCREW KIT1	
K5	VS15445	1	MOTOR FIXING PLATE KIT	
K6	VS15446	1	SCREW KIT2	
K7	VS15447	1	SQUEEGEE ROTATION ARM KIT	
K8	VS15448	1	LIFTING HANDLE FOR SQUEEGEE KIT	
K9	VS15449	1	SQUEEGEE TRAY KIT	
K10	55942471	1	HUB KIT	
K11	VS15455	1	ROLLER BUMPER KIT	
K12	VS15451	1	SCREW KIT3	
K13	VS15452	1	SQUEEGEE CONNECTION FRAME KIT	
K14	VS15453	1	SQUEEGEE BRACKET KIT	

WEAR AND TEAR PARTS

Pos.	Artikel-Nr.	Menge	Variante	Notes
1	55942448	1	LEVER BRUSH SWITCH KIT	
2	VV81063	1	MICRO SWITCH - ROLLER BRUSH AND PUMP KIT	
3	VS15133	1	ADJUST LEVER HANDLE	
4	VS15192	1	GEAR	
5	VS15025	1	DASH BOARD 24V AGM	
6	VS15386	1	CONNECTION ROD KIT	
7	55942443	1	GASKET OF RECOVERY TANK LID	
8	VS15323	1	VACUUM GRID WITH AUTO SHUT-OFF FLOAT	
9	VS15400	1	DRAIN HOSE KIT	
10	VS15026	1	CONTROLLER MAIN MACHINE	
11	VS15018	1	CHARGER 10A	
12a	VF89725	1	LADEGERÄT NETZKABEL EU-STECKER	
12b	VF89726	1	CHARGER POWER CABLE UK PLUG	
12c	VF89724	1	CHARGING CABLE FOR US 300V 16AWG	
13	VS15003	1	Motor 24V 350W	
14	55942433	1	HOSE FRESH WATER LEVEL KIT	
15	VF89110A	1	KIT DRAIN WATER	
16	VS15415	1	SUCTION HOSE KIT	
17	VS15430	1	WHEEL 6 INCH	
18	VS15327	1	3.5 INCH CASTER	
19	VS15021	1	24V DC SOLENOID VALVE KIT	
20	VF90621	1	WASSERFILTER	
21	55942487	1	BLADE SQUEEGEE NR KIT	
22	VS15160	1	BEND CONNECTOR	
23	VS15159	1	SQUEEGEE KNOB	
24	VS15436	5	SQUEEGEE WHEEL KIT	
25	55942479	1	STRAP FRONT	
26	55942474	1	STRAP REAR	
27	55942444	1	HUB	
28	VS15032	1	BRUSH MOTOR 24V DC	
29	VF89116	4	KOHLEBÜRSTEN-SET	
30	VR14003	1	KEY	



Pos.	Artikel-Nr.	Menge	Variante	Notes
BAT	VF90223	2	BATTERY 12V 85Ah/20h	
CH	VS15018	1	CHARGER 10A	
EB1	VS15026	1	CONTROLLER MAIN MACHINE	
EB2	VS15025	1	DASH BOARD 24V AGM	
M1	VS15032	1	BRUSH MOTOR 24V DC	
M2	VS15003	1	Motor 24V 350W	
EV	VS15021	1	24V DC SOLENOID VALVE KIT	
SW	VV81432	1	MICRO SWITCH	
